

EM GAMME EPURE ESCAPE 2024



ELECTRIC MOTION



www.electric-motion.fr



Zac via Domitia,
280 Rue du Trident,
34740 Vendargues
FRANCE

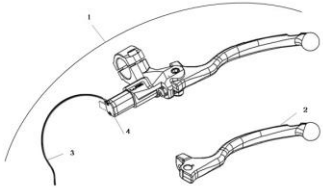


Projet cofinancé par le Fonds Européen de Développement Régional

2024



MOTUL 11 PAB

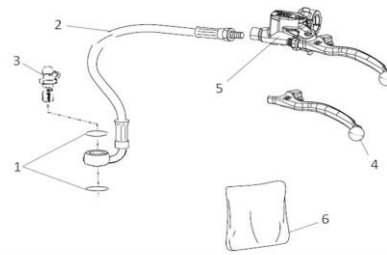


N°	REF. EM	DENOMINATION	Qty
1	TU211-60403-00-00	PELLPAB HYDRAULIC	1
2	TU211-60403-00-00	PELLPAB HYDRAULIC SLAVE	1
3	TU211-60403-00-00	PELLPAB HYDRAULIC SPRING	1
4	TU211-60413-00-00	2022 SENSOR COVER	2

2024

25

MOTUL 12 HYDRAULIC CLUTCH SYSTEM

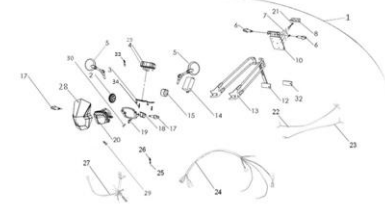


N°	REF. EM	DENOMINATION	Qty
1	DU210-02610-00-00	WHOLE KIT	2
2	TU210-02610-00-00	CLUTCH HOSE	1
3	TU210-02610-00-00	WH. RESER. PUMP	1
4	TU210-02610-00-00	SLAVE CLUTCH	1
5	TU210-02610-00-00	CLUTCH MASTER CYLINDER	1
6	TU210-02610-00-00	RESER. KIT	1

2024

26

MOTUL 13 ON ROAD KIT

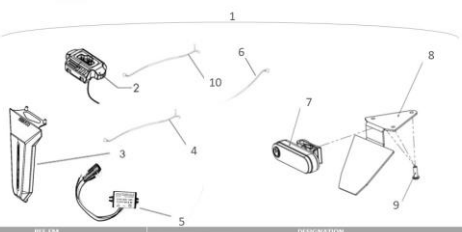


N°	REF. EM	DENOMINATION	Qty	N°	REF. EM	DENOMINATION	Qty
1	TU210-02610-00-00	BUSBAR ON ROAD KIT	1	1	TU210-02610-00-00	OPTICAL SUPPORT PLATE	2
2	TU210-02610-00-00	WIRE	1	2	TU210-02610-00-00	COMPACT LIGHT	1
3	TU210-02610-00-00	SPROCKETER SUPPORT	1	3	DU210-02610-00-00	HEAT GUARD	4
4	TU210-02610-00-00	PROTECTOR	1	4	TU210-02610-00-00	REAR ELECTRICAL WIRING IN FRAME	1
5	TU210-02610-00-00	REAR VIEW MIRROR	2	5	TU210-02610-00-00	REAR ELECTRICAL WIRING	1
6	TU210-02610-00-00	TURN LIGHT LAMP SET	1	6	TU210-02610-00-00	ELECTRICAL WIRING	1
7	DU210-02610-00-00	SCREEN FAC W/OUT	2	7	TU210-02610-00-00	HYDRAULIC SENSOR	1
8	TU210-02610-00-00	REAR LIGHT	1	8	TU210-02610-00-00	SWITCH ELECTRICAL	1
9	TU210-02610-00-00	FAIRING LIGHT SUPPORT	1	9	TU210-02610-00-00	SWITCH ELECTRICAL	1
10	TU210-02610-00-00	REFLECTOR SUPPORT	1	10	DU210-02610-00-00	HANDLE KIT	1
11	TU210-02610-00-00	CONVERTER REV 12V	1	11	DU210-02610-00-00	SCREEN W/OUT LAMP/HEAD	1
12	TU210-02610-00-00	SWITCH FUEL SUPPORT	1	12	DU210-02610-00-00	SCREEN W/OUT LAMP/HEAD	1
13	TU210-02610-00-00	TURN LIGHT SHORT SET	1	13	DU210-02610-00-00	SCREEN W/OUT LAMP/HEAD	1
14	TU210-02610-00-00	INDICATOR CENTRAL UNIT	1	14	TU210-02610-00-00	FRONT SHAFT SENSOR	2
15	TU210-02610-00-00		1	15	DU210-02610-00-00	SCREEN W/OUT LAMP/HEAD	2

2024

27

MOTUL 14 COMPLETE OFF ROAD KIT

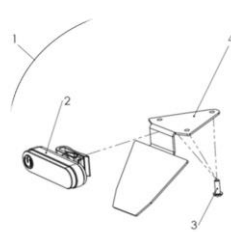


N°	REF. EM	DENOMINATION	Qty
1	TU210-02610-00-00	OFF ROAD COMPLETE FRONT KIT	1
2	TU210-02610-00-00	BATTERY CASE - W/SHOCK PROTECTION (PURE SPORT ONLY)	1
3	TU210-02610-00-00	FRONT FUEL FILTER/HEAT	1
4	TU210-02610-00-00	OFF ROAD MAIN MIRROR	1
5	TU210-02610-00-00	CONVERTER 12V/5V	1
6	TU210-02610-00-00	REAR LED	1
7	TU210-02610-00-00	REAR LED SUPPORT	1
8	TU210-02610-00-00	SCREEN 24"	1
9	TU210-02610-00-00	BATTERY LEVEL INDICATOR W/SHOCK PROTECTOR	1

2024

28

MOTUL 15 REAR TAIL LIGHT MINI

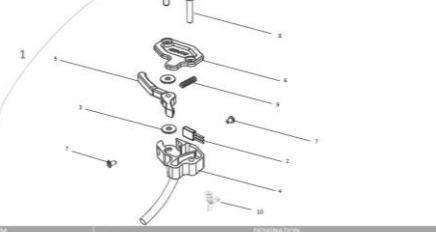


N°	REF. EM	DENOMINATION	Qty
1	TU210-02610-00-00	COMPLETE REAR LED KIT	1
2	TU210-02610-00-00	REAR LED	1
3	DU210-02610-00-00	SCREEN 24"	1
4	TU210-02610-00-00	REAR LED SUPPORT	1

2024

29

MOTUL 16 PAB RACE



N°	REF. EM	DENOMINATION	Qty
1	DU210-02610-00-00	COMPLETE PAB RACE	1
2	TU210-02610-00-00	PELLPAB HYDRAULIC	1
3	DU210-02610-00-00	PELLPAB HYDRAULIC SLAVE	1
4	TU210-02610-00-00	PELLPAB HYDRAULIC SPRING	1
5	DU210-02610-00-00	PELLPAB HYDRAULIC SPRING	1
6	DU210-02610-00-00	PELLPAB HYDRAULIC SPRING	1
7	DU210-02610-00-00	PELLPAB HYDRAULIC SPRING	1
8	DU210-02610-00-00	PELLPAB HYDRAULIC SPRING	1
9	DU210-02610-00-00	PELLPAB HYDRAULIC SPRING	1
10	DU210-02610-00-00	PELLPAB HYDRAULIC SPRING	1
11	DU210-02610-00-00	PELLPAB HYDRAULIC SPRING	1
12	DU210-02610-00-00	PELLPAB HYDRAULIC SPRING	1
13	DU210-02610-00-00	PELLPAB HYDRAULIC SPRING	1
14	DU210-02610-00-00	PELLPAB HYDRAULIC SPRING	1
15	DU210-02610-00-00	PELLPAB HYDRAULIC SPRING	1
16	DU210-02610-00-00	PELLPAB HYDRAULIC SPRING	1
17	DU210-02610-00-00	PELLPAB HYDRAULIC SPRING	1
18	DU210-02610-00-00	PELLPAB HYDRAULIC SPRING	1
19	DU210-02610-00-00	PELLPAB HYDRAULIC SPRING	1
20	DU210-02610-00-00	PELLPAB HYDRAULIC SPRING	1
21	DU210-02610-00-00	PELLPAB HYDRAULIC SPRING	1
22	DU210-02610-00-00	PELLPAB HYDRAULIC SPRING	1
23	DU210-02610-00-00	PELLPAB HYDRAULIC SPRING	1
24	DU210-02610-00-00	PELLPAB HYDRAULIC SPRING	1
25	DU210-02610-00-00	PELLPAB HYDRAULIC SPRING	1
26	DU210-02610-00-00	PELLPAB HYDRAULIC SPRING	1
27	DU210-02610-00-00	PELLPAB HYDRAULIC SPRING	1
28	DU210-02610-00-00	PELLPAB HYDRAULIC SPRING	1
29	DU210-02610-00-00	PELLPAB HYDRAULIC SPRING	1
30	DU210-02610-00-00	PELLPAB HYDRAULIC SPRING	1
31	DU210-02610-00-00	PELLPAB HYDRAULIC SPRING	1
32	DU210-02610-00-00	PELLPAB HYDRAULIC SPRING	1
33	DU210-02610-00-00	PELLPAB HYDRAULIC SPRING	1
34	DU210-02610-00-00	PELLPAB HYDRAULIC SPRING	1
35	DU210-02610-00-00	PELLPAB HYDRAULIC SPRING	1
36	DU210-02610-00-00	PELLPAB HYDRAULIC SPRING	1
37	DU210-02610-00-00	PELLPAB HYDRAULIC SPRING	1
38	DU210-02610-00-00	PELLPAB HYDRAULIC SPRING	1
39	DU210-02610-00-00	PELLPAB HYDRAULIC SPRING	1
40	DU210-02610-00-00	PELLPAB HYDRAULIC SPRING	1
41	DU210-02610-00-00	PELLPAB HYDRAULIC SPRING	1
42	DU210-02610-00-00	PELLPAB HYDRAULIC SPRING	1
43	DU210-02610-00-00	PELLPAB HYDRAULIC SPRING	1
44	DU210-02610-00-00	PELLPAB HYDRAULIC SPRING	1
45	DU210-02610-00-00	PELLPAB HYDRAULIC SPRING	1
46	DU210-02610-00-00	PELLPAB HYDRAULIC SPRING	1
47	DU210-02610-00-00	PELLPAB HYDRAULIC SPRING	1
48	DU210-02610-00-00	PELLPAB HYDRAULIC SPRING	1
49	DU210-02610-00-00	PELLPAB HYDRAULIC SPRING	1
50	DU210-02610-00-00	PELLPAB HYDRAULIC SPRING	1

2024

30

MOTUL 17 HANDBUARD

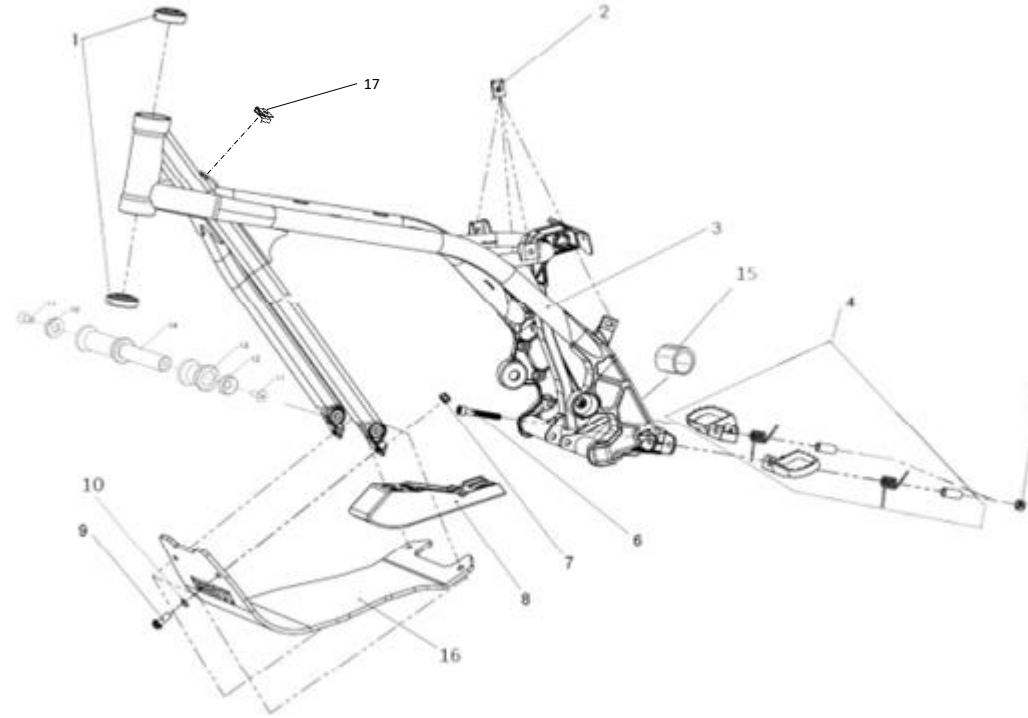


N°	REF. EM	DENOMINATION	Qty
1	DU210-02610-00-00	PAIR HANDBUARD	1

2024

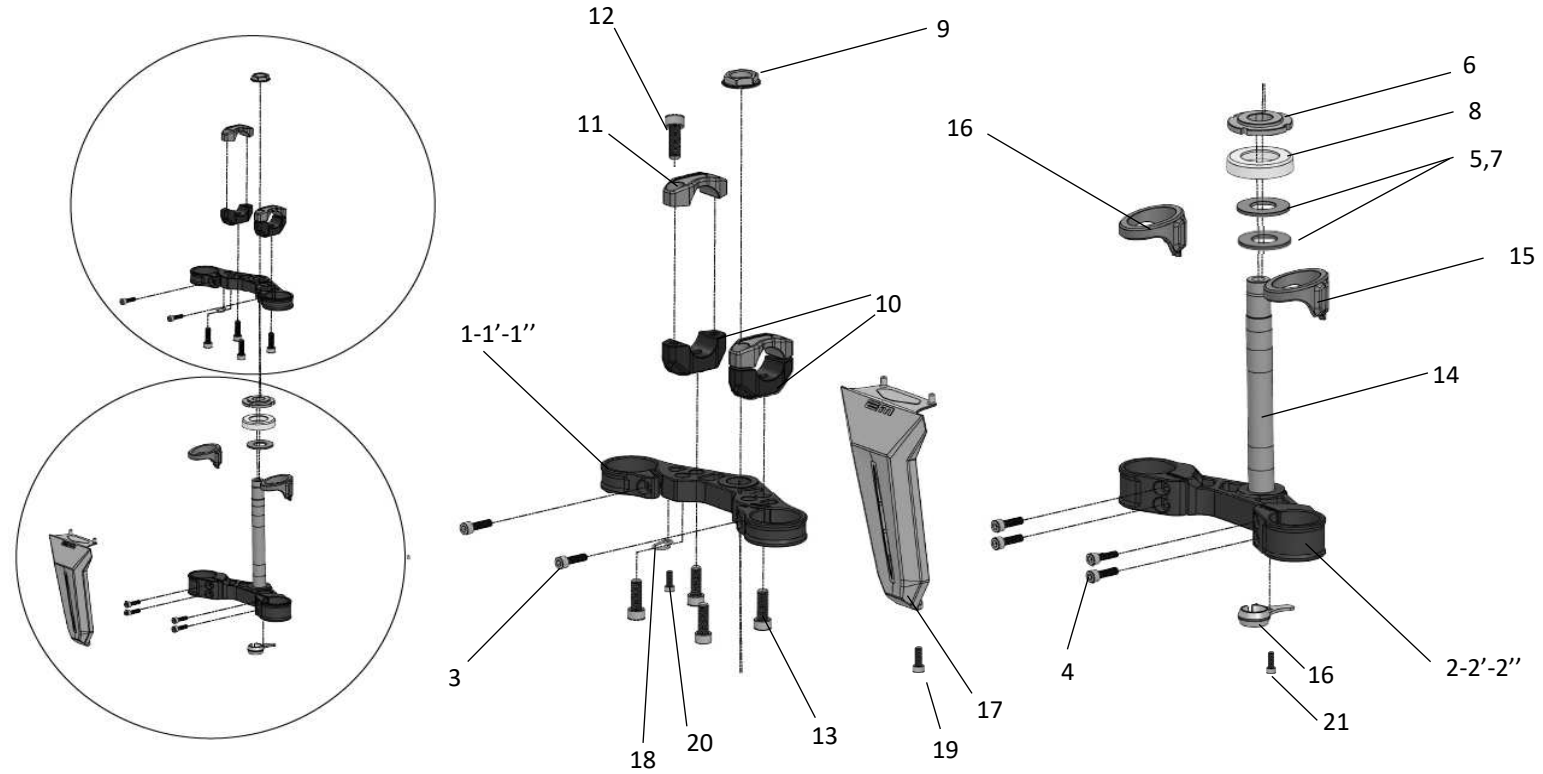
31

01 FRAME



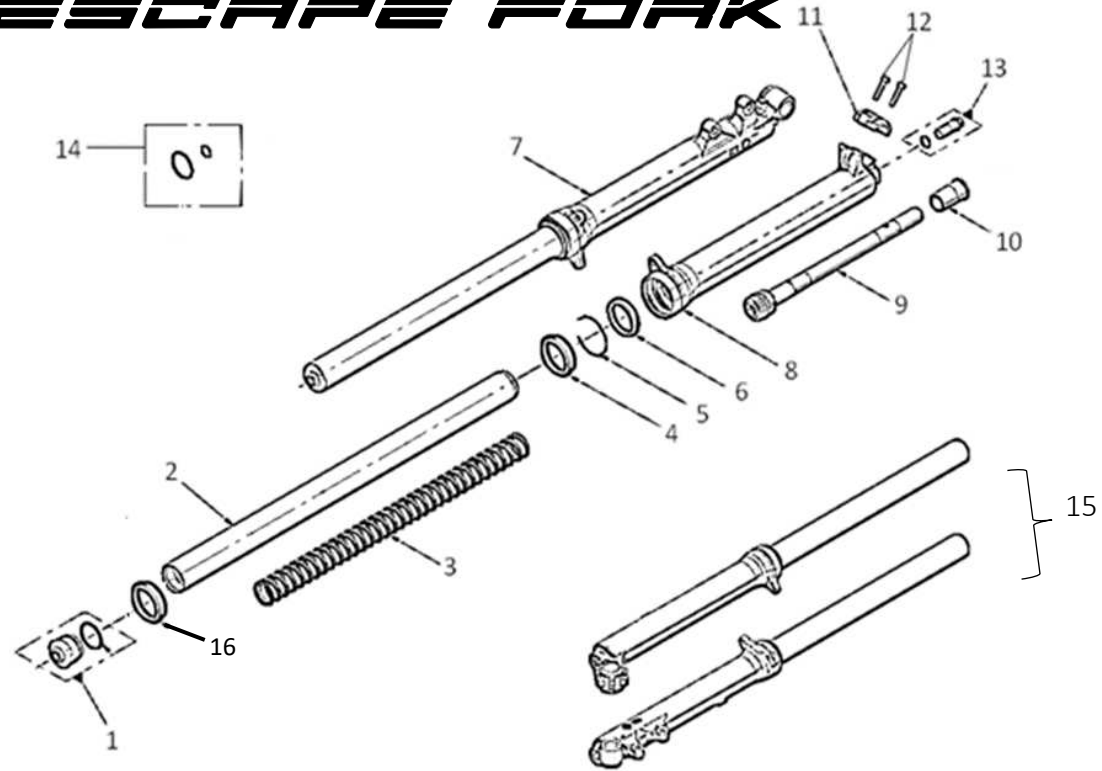
N°	REF.EM	DESIGNATION	Qty	N°	REF.EM	DESIGNATION	Qty
1	TL01J-20508-00-00.....	STEERING BEARING	2	11	0V020-08035-00-00.....	SCREW FHC M8x35.....	2
2	OCE06-16024-09-ZI.....	FAST NUT M6.....	4	12	TC010-50139-05-00.....	SPECIAL WASHER	2
3	TC02R-10101-00-03-ASM.....	FRAME 2023.....	1	13	TC010-50139-06-00.....	SPACER.....	1
4	TL02O-10105-00-00.....	SET FOOTPEG.....	1	14	TC010-50139-04-00.....	AXIS	1
4'	TC02Q-10105-00-03.....	SET FOOTPEG COMP 2022/2023.....	1	15	TL02O-60344-00-00.....	FRAME PLASTIC PROTECTOR.....	1
5	OEC08-08000-00-00.....	M8 NYLSTOP NUT.....	2	16	TC01L-10104-00-00.....	BASH PLATE.....	1
6	0V010-08045-01-00.....	SCREW CHC SHORT HEAD M8x45	2	17	OCD04-22822-00-00.....	DZUS STAPLE.....	1
7	OEC08-08000-00-00.....	NUT NYLSTOP M8.....	4				
8	TL02O-60303-00-00.....	RUBBER ENGINE PROTECTOR.....	1				
9	0V150-08020-00-00.....	SCREW CHC M8x20.....	4				
10	OR012-08018-00-00.....	CONTACT M8 WASHER.....	4				

02 STEERING



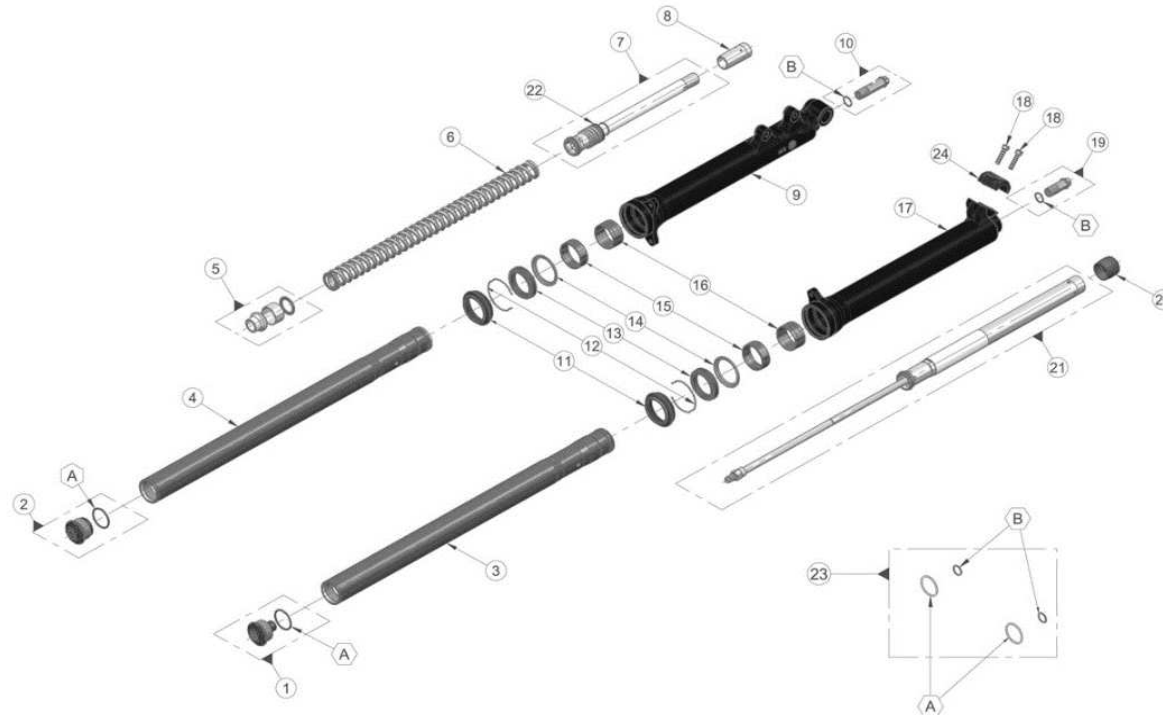
N°	REF.EM	DESIGNATION	Qty	N°	REF.EM	DESIGNATION	Qty
1	TC01Q-20502-00-00.....	2022 RACE/ESCAPE R UPPER FORK CLAMP DARK BLUE.....	1	13	OV010-08025-00-00.....	SCREW CHC 8 X 25.....	4
2	TC01Q-20501-00-00.....	2022 RACE/ESCAPE R LOWER FORK CLAMP DARK BLUE.....	1	14	TC01L-20503-00-00.....	AXLE STEERING.....	1
1'	TL02Q-20502-00-00.....	2022 EPURE SPORT/ESCAPE S UPPER FORK CLAMP BLACK.....	1	15	TC01P-60306-00-00.....	STEERING STOP.....	2
2'	TL02Q-20501-00-00.....	2022 EPURE SPORT /ESCAPE S LOWER FORK CLAMP BLACK	1	16	TL02P-20141-00-00.....	BRAKE HOSE GUIDE.....	1
1''	TC02Q-20502-00-00.....	UPPER FORK CLAMP DARK BLUE COMP.....	1	17	TC01P-70104-00-00-ASM.....	OFF ROAD FRONT PLATE WITH LIGHT.....	1
2''	TC02Q-20501-00-00.....	LOWER FORK CLAMP DARK BLUE COMP.....	1	18	TC01Q-20514-00-00.....	CLUTCH HOSE GUIDE RING.....	1
3, 4	OV010-06020-00-00.....	SCREW CHC 6 X 20.....	6	19	OV040-05008-07-01.....	SCREW BHC M5X8 STEEL BLACK	1
5, 7	TL01J-20504-00-00.....	STEERING WASHER.....	2	20	OV040-04012-07-01.....	SCREW BHC M4X8 STEEL BLACK	2
6	TL02Q-20505-00-00.....	STEERING TOP BEARING NUT.....	1				
8	TL01J-20506-00-00.....	DUST COVER STEERING.....	1				
9	TL02Q-20507-00-00.....	STEERING AXLE TOP NUT BLACK.....	1				
10	TC01R-20510-01-00.....	HANDLEBAR CLAMP.....	2				
11	TL02O-20510-02-00.....	UPPER HANDLEBAR CLAMP	2				
12	OV010-08020-00-00.....	SCREW CHC 8 X 20.....	4				

03-1 EPURE ESCAPE FORK



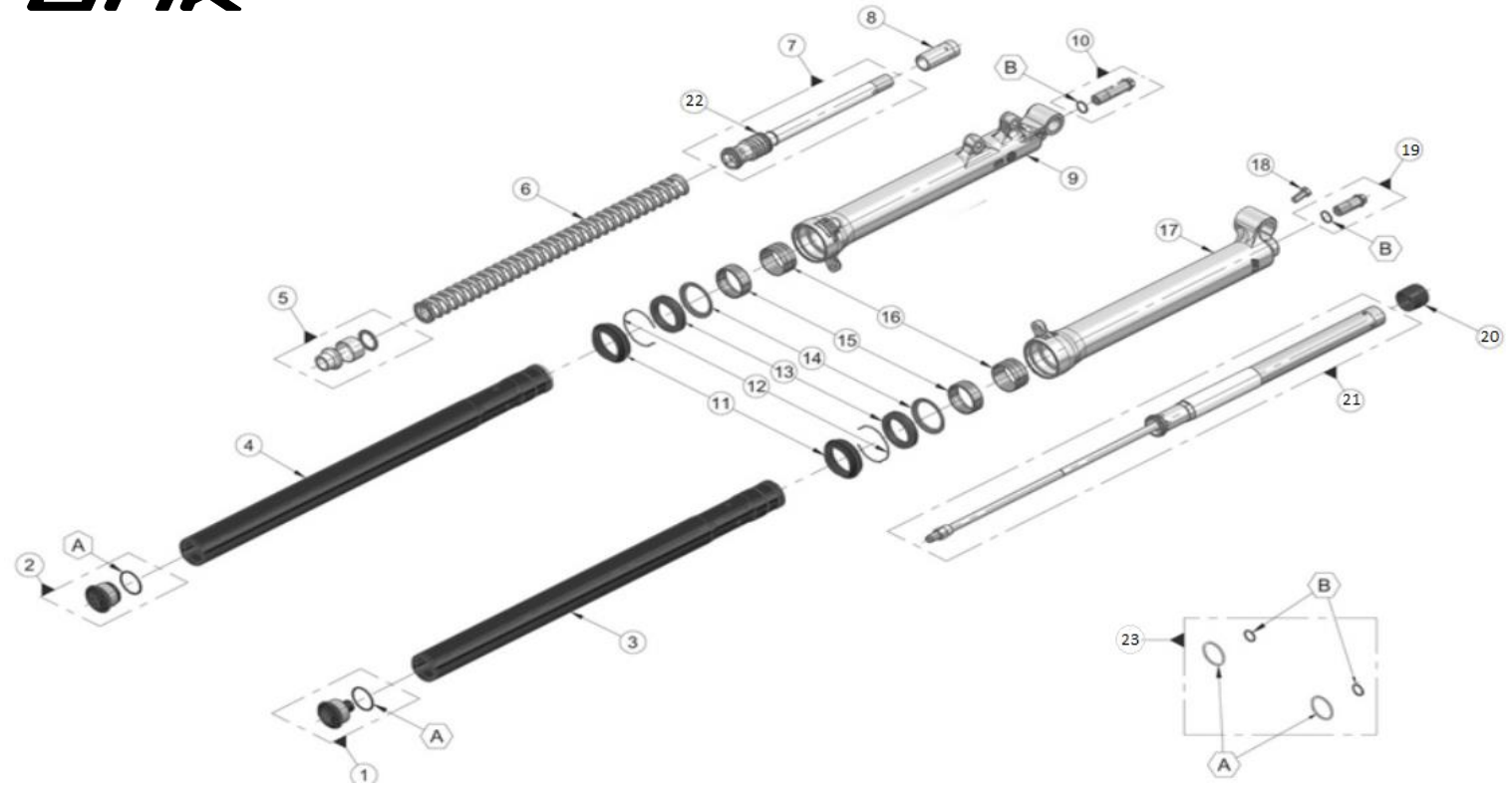
N°	REF.EM	DESIGNATION	Qty	N°	REF.EM	DESIGNATION	Qty
1	TL02N-20101-14-00.....	GR0P TOP CAP PRELOAD SPRING.....	2	15	TL02N-20103-00-00.....	COMPLETE FORK	1
2	TL02N-20101-07-00.....	RIGHT / LEFT FORK TUBE.....	2	16	TL02N-20145-00-00.....	SPRING PRELOAD SPACER	1
3	TL02N-20101-08-00.....	FORK SPRING.....	2				
4	TL01K-20115-00-00.....	DUST SEAL.....	2				
5	TL01K-20116-00-00.....	OIL SEAL CIRLPLIP.....	2				
6	TL01K-20117-00-00.....	OIL SEAL.....	2				
7	TL02N-20101-04-00.....	LEFT LEG.....	1				
8	TL02N-20101-50-00.....	RIGHT LEG.....	1				
9	TL02N-20101-31-00.....	HYDRAULIC CARTRIDGE.....	2				
10	TL02N-20101-18-00.....	CONE LIMIT.....	2				
11	TL02N-20101-42-00.....	LOWER CLAMP Ø25	1				
12	TL02N-20125-00-00.....	SCREW TCCE M6X25.....	2				
13	TL02N-20101-29-00.....	LOCK SCREW PUMP + WASHER	2				
14	TL02N-20101-22-00.....	GROUP RINGS SEAL.....	2				

03-2 ESCAPE "A" EPURE RACE FORK



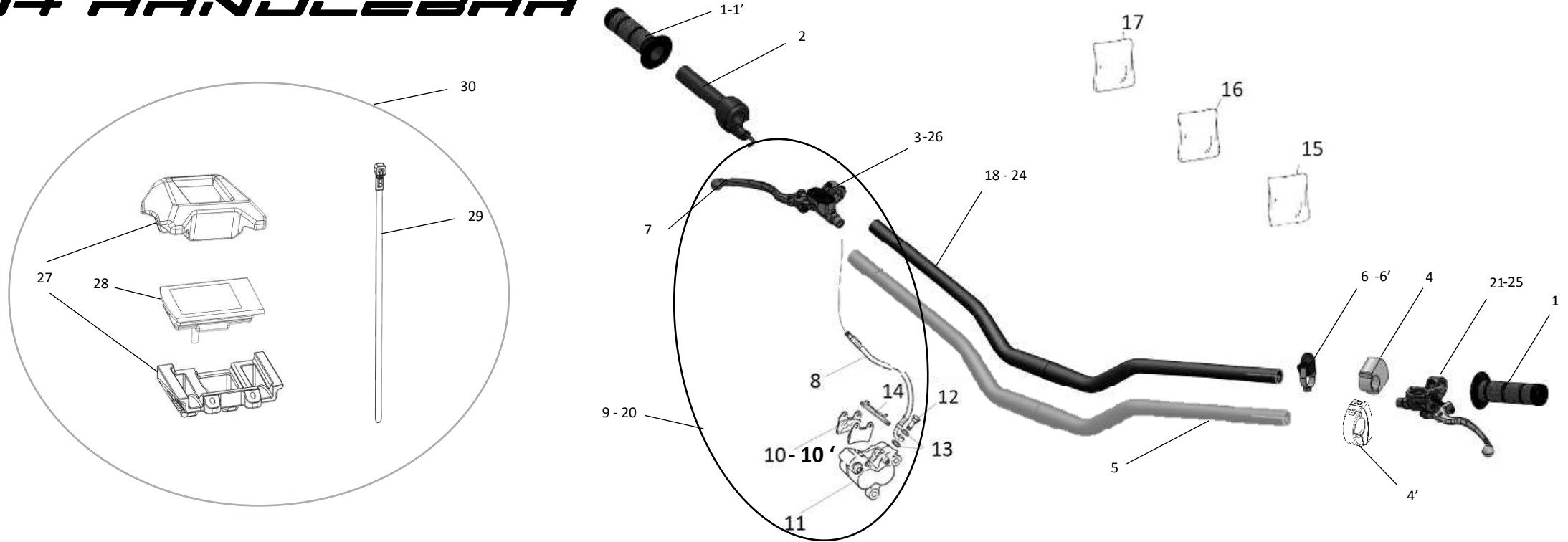
N°	REF.EM	DESIGNATION	Qty	N°	REF.EM	DESIGNATION	Qty
0	TC01P-20101-00-00.....	COMPLETE FORK RACE/ESCAPE R.....	1	13	TL01K-20117-00-00.....	OIL SEAL.....	2
1	TL01K-20114-00-00.....	GROUP TOP CAP EXTENSION.....	1	14	TL01K-20120-00-00.....	RING STOP BUSHING OIL SEAL.....	2
2	TL01K-20113-00-00.....	GROUP TOP CAP PRELOAD SPRING.....	1	15	TL01K-20110-00-00.....	BUSH DU Ø39xØ43x15.....	2
3	TC01P-20107-00-00.....	GROUP STANCHION TUBE REPLAY RIGHT.....	1	16	TL01K-20112-00-00.....	BUSH DU Ø38xØ40x20.....	2
4	TC01P-20106-00-00.....	GROUP STANCHION TUBE REPLAY LEFT.....	1	17	TC01P-20103-00-00.....	RIGHT LEG.....	1
5	TC01P-20111-00-00.....	GROUP SPACERS SPRING.....	1	18	TL02N-20125-00-00.....	SCREW TCCE M6x25	2
6	TC01P-20109-00-00.....	FORK SPRING (progr. 1).....	1	19	TL01K-20124-00-00.....	GROUP LOCK SCREW HYDRAULIC PUMP.....	1
7	TL01K-20132-00-00.....	GROUP MECHANICAL PUMPING.....	1	20	TL01K-20123-00-00.....	CONE LIMIT RIGHT.....	1
8	TL01K-20118-00-00.....	CONE LIMIT LEFT.....	1	21	TC01P-20131-00-00.....	GROUP CARTRIDGE.....	1
9	TC01P-20102-00-00.....	LEFT LEG.....	1	22	TL01K-20130-00-00.....	SUPPORT RING FOR SPRING LIMIT.....	1
10	TL01K-20129-00-00.....	NEEDLE REGULATION GROUP.....	1	23	TL01K-20122-00-00.....	GROUP RINGS SEAL.....	2
11	TL01K-20115-00-00.....	DUST SEAL.....	2	24	TC01P-20142-00-00.....	LOWER CLAMP.....	1
12	TL01K-20116-00-00.....	RING STOPPER OIL SEAL.....	2				

03-3 COMP FORK



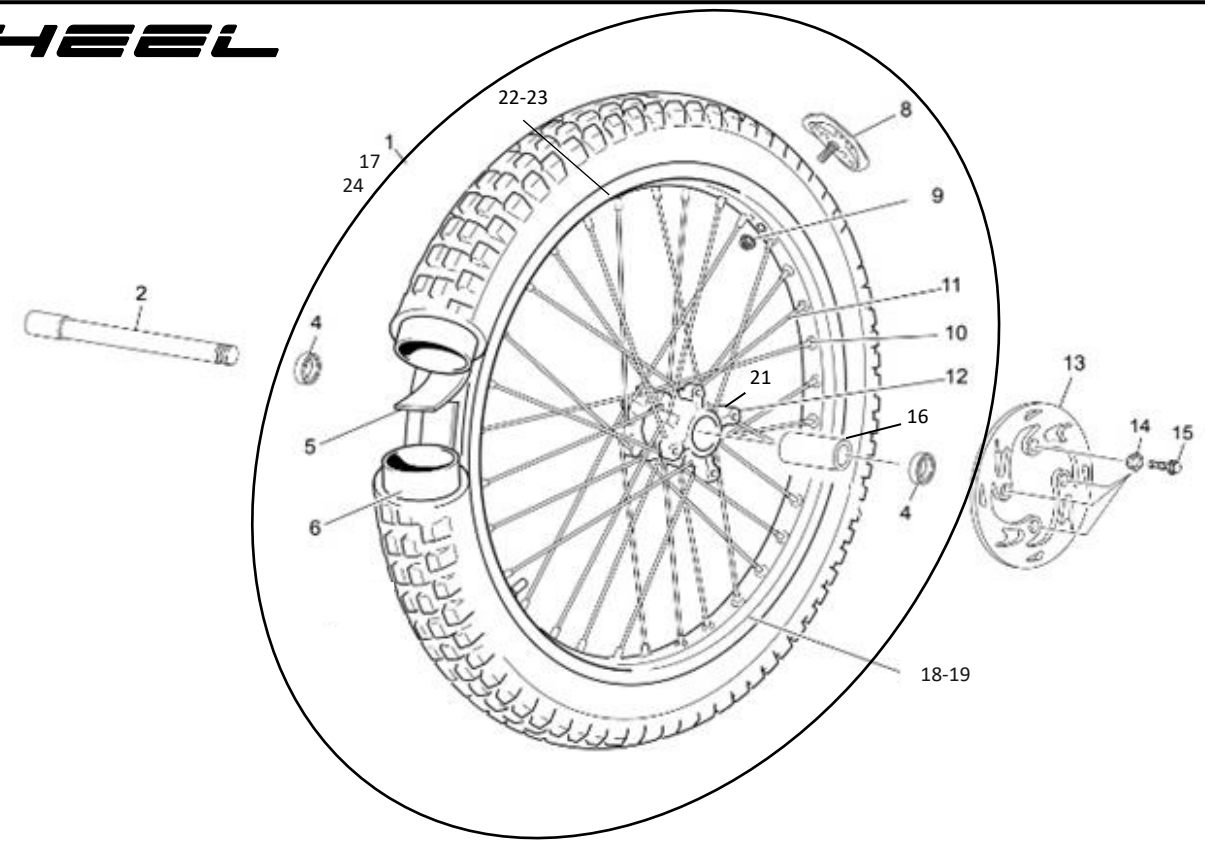
N°	REF.EM	DESIGNATION	Qty	N°	REF.EM	DESIGNATION	Qty
0	TC02Q-20101-00-00.....	COMPLETE FORK COMP 22	1	13	TL01K-20117-00-00.....	OIL SEAL.....	2
1	TL01K-20114-00-00.....	GROUP TOP CAP EXTENSION.....	1	14	TL01K-20120-00-00.....	RING STOP BUSHING OIL SEAL.....	2
2	TL01K-20113-00-00.....	GROUP TOP CAP PRELOAD SPRING.....	1	15	TL01K-20110-00-00.....	BUSH DU Ø39xØ43x15.....	2
3	TC02Q-20107-00-00.....	GROUP STANCHION TUBE REPLAY RIGHT COMP 22.....	1	16	TL01K-20112-00-00.....	BUSH DU Ø38xØ40x20.....	2
4	TC02Q-20106-00-00.....	GROUP STANCHION TUBE REPLAY LEFT COMP 22.....	1	17	TC02Q-20103-00-00.....	RIGHT LEG.....	1
5	TC01P-20111-00-00.....	GROUP SPACERS SPRING.....	1	18	TC01P-20125-00-00.....	SCREW TCCEIB M8x18.....	1
6	TC01P-20109-00-00.....	FORK SPRING (progr. 1).....	1	19	TC02Q-20124-00-00.....	GROUP LOCK SCREW HYDRAULIC PUMP.....	1
7	TL01K-20132-00-00.....	GROUP MECHANICAL PUMPING.....	1	20	TL01K-20123-00-00.....	CONE LIMIT RIGHT.....	1
8	TL01K-20118-00-00.....	CONE LIMIT LEFT.....	1	21	TC02Q-20131-00-00.....	GROUP CARTRIDGE.....	1
9	TC02Q-20102-00-00.....	LEFT LEG.....	1	22	TL01K-20130-00-00.....	SUPPORT RING FOR SPRING LIMIT.....	1
10	TL01K-20129-00-00.....	NEEDLE REGULATION GROUP.....	1	23	TL01K-20122-00-00.....	GROUP RINGS SEAL.....	2
11	TL01K-20115-00-00.....	DUST SEAL.....	2				
12	TL01K-20116-00-00.....	RING STOPPER OIL SEAL.....	2				

04 HANDLEBAR



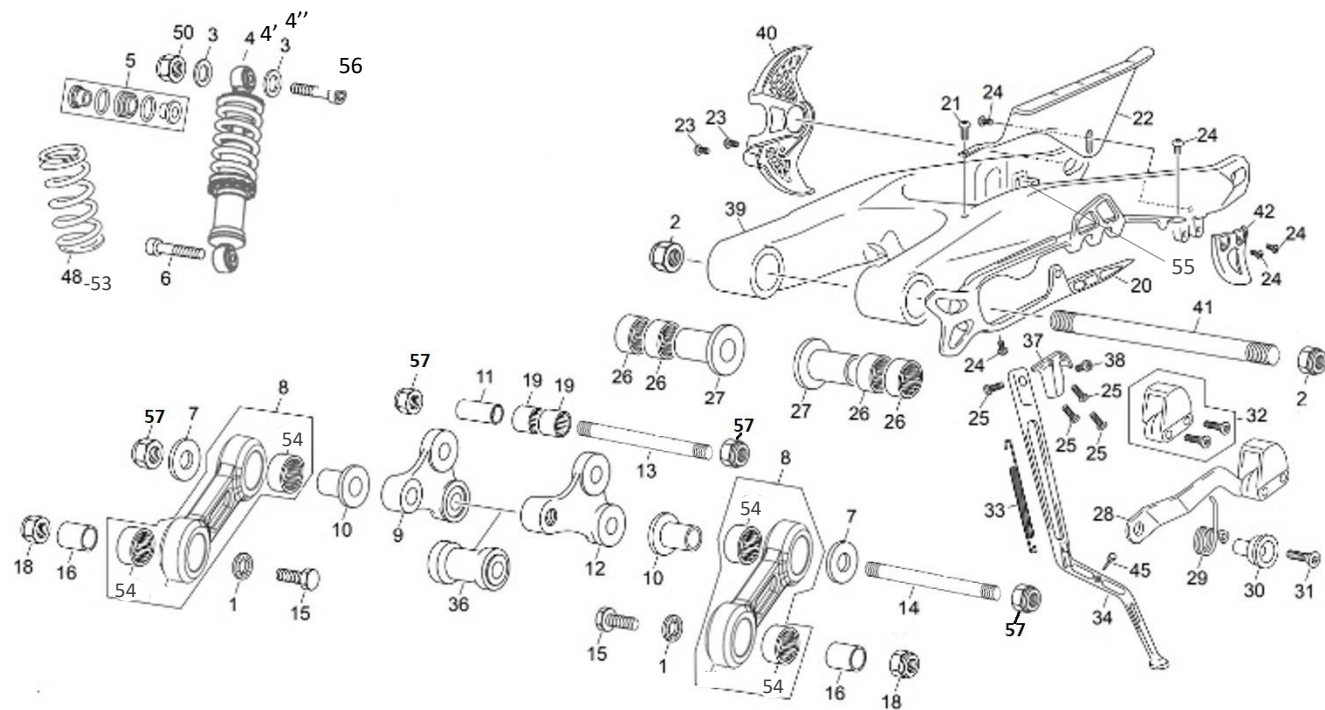
N°	REF.EM	DESIGNATION	Qty	N°	REF.EM	DESIGNATION	Qty
1	TC01P-60405-00-00.....	GRIPS SET.....	1	14	TL01J-20203-00-00.....	PAD PIN CLIP.....	1
1'	TC01R-60405-00-00.....	GRIPS COMP.....	1	15	TL01J-20220-00-00.....	FRONT BRAKE PUMP REPAIR KIT.....	1
2	TC01Q-60401-00-00-ASM	FULL DOMINO THROTTLE.....	1	16	TL01J-20221-00-00.....	FRONT CALIPER REPAIR KIT.....	1
3	TL01M-20210-00-00.....	FRONT BRAKE MASTER CYLINDER.....	1	17	TL01M-20225-00-00.....	FRONT BRAKE GROUP REPAIR KIT.....	1
4	TL02R-60407-00-00.....	MAIN MAP BOUTON + LED 2024 EPURE SPORT.....	1	18	TL01R-20511-00-00.....	RACE/ESCAPE R HANDLEBAR.....	1
4'	TL02S-60407-00-00.....	REMOTE CONTROL DISPLAY.....	1	20	TC01O-20200-00-00.....	COMPLETE FRONT BRAKE RACE/ESCAPE R.....	1
5	TL01L-20511-00-00.....	HANDLEBAR EPURE / ESCAPE.....	1	21	TC01O-50510-00-00.....	CLUTCH MASTER CYLINDER.....	1
6	TL01N-60101-00-00.....	CIRCUIT BRAKER MAGNET.....	1	22	TC01O-50510-00-00.....	CLUTCH MASTER CYLINDER.....	1
6'	TL01N-60101-00-01.....	EM LANYARD AND MAGNET ONLY.....	1	23	TC01O-50510-00-00.....	CLUTCH MASTER CYLINDER.....	1
7	TL01J-20211-00-00.....	FRONT BRAKE LEVER.....	1	24	TL01N-20511-00-00.....	HANDELBAR COMP 2024 BLACK.....	1
8	TL01M-20212-00-00.....	FRONT BRAKE HOSE.....	1	25	TC02Q-50510-01-00.....	CLUTCH MASTER CYLINDER LID COMP.....	1
9	TL02O-20200-00-00.....	COMPLETE FRONT BRAKE EPURE / ESCAPE.....	1	26	TC01Q-20227-00-00.....	BRAKE MASTER CYLINDER LID COMP.....	1
10	TL01J-20205-00-00.....	FRONT PAD KIT EPURE / ESCAPE.....	1	27	TL02S-60305-01-00.....	FOAM PROTECTION.....	1
10'	TC01O-20205-00-00.....	FRONT PAD KIT RACE/ESCAPE R.....	1	28	TL02S-50203-00-00.....	HANDLEBAR DISPLAY.....	1
11	TL01J-20217-00-00.....	FRONT CALIPER.....	1	29	OC005-76200-00-00.....	RISLAN.....	2
12	TL01J-20216-00-00.....	BANDJO WITH CAP.....	1	30	TL02S-50203-00-00-ASM.....	COMPLETE HANDLEBAR DISPLAY ASSEMBLY.....	1
13	OR01-08021-00-00.....	WASHER SEAL M8.....	2				

05 FRONT WHEEL



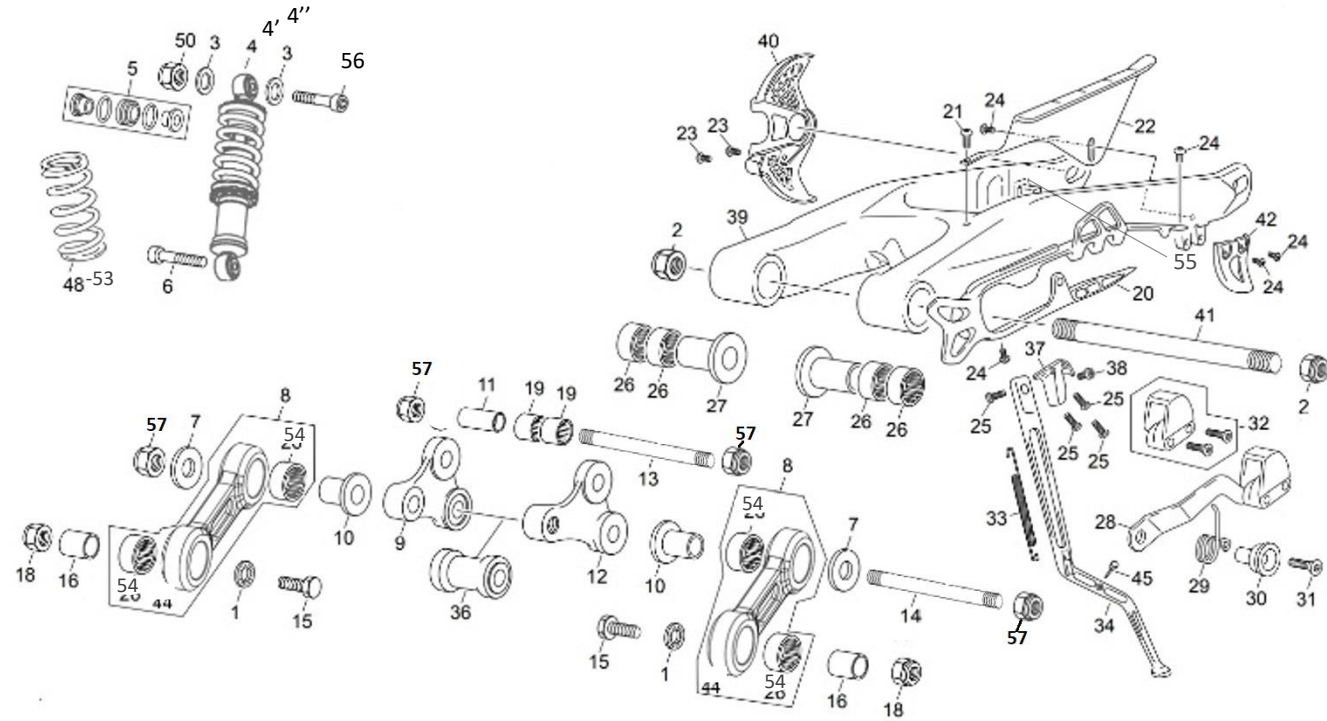
N°	REF.EM	DESIGNATION	Qty	N°	REF.EM	DESIGNATION	Qty
1	TC01Q-20301-00-00.....	COMPLETE FRONT WHEEL RACE/ESCAPE R.....	1	15	OV150-06020-00-00.....	SPECIAL HEXAGONAL SCREW M 6 X 20.....	4
2	TL01K-20404-00-00.....	FRONT WHEEL AXLE.....	1	16	TL01J-20316-00-00.....	FRONT HUB SPACER	1
4	ORBR1-06004-01-00.....	6004 2RS HUB BEARING.....	2	17	TL02Q-20301-00-00.....	COMPLETE FRONT WHEEL EPURE.....	1
5	TL01J-20322-00-00.....	RUBBER RIM PROTECTOR.....	1	18	TL02Q-20311-00-12.....	COMPLETE FRONT WHEEL WITHOUT TYRE EPURE /ESCAPE.....	1
6	TL01J-20323-00-00.....	21" TUBE.....	1	19	TC01Q-20311-00-12.....	COMPLETE FRONT WHEEL WITHOUT TYRE COMP/RACE/ESCAPE R ..	1
8	TL01J-20321-00-00.....	GRIPSTER.....	1	20	TC02Q-20314-00-00.....	GREY FRONT SPOKE	32
9	OEC08-08000-00-00.....	NUT NYLSTOP M 8.....	1	21	TL01J-20310-00-00.....	FRONT HUB.....	1
10	TL01J-20313-00-00.....	FRONT SPOKE NIPPLE.....	32	22	TL01J-20311-00-00.....	FRONT RIM (BLACK SPOKES)	1
11	TL01J-20314-00-00.....	BLACK FRONT SPOKE.....	32	23	TC02Q-20311-00-00.....	FRONT RIM (GREY SPOKES)	1
13	TL02Q-20222-00-00.....	FRONT BRAKE DISC	1	24	TL02S-20301-00-00.....	COMPLETE FRONT WHEEL ESCAPE S.....	1
14	TL01J-20223-00-00.....	FRONT DISC SPACER	4				

06 REAR SUSPENSION



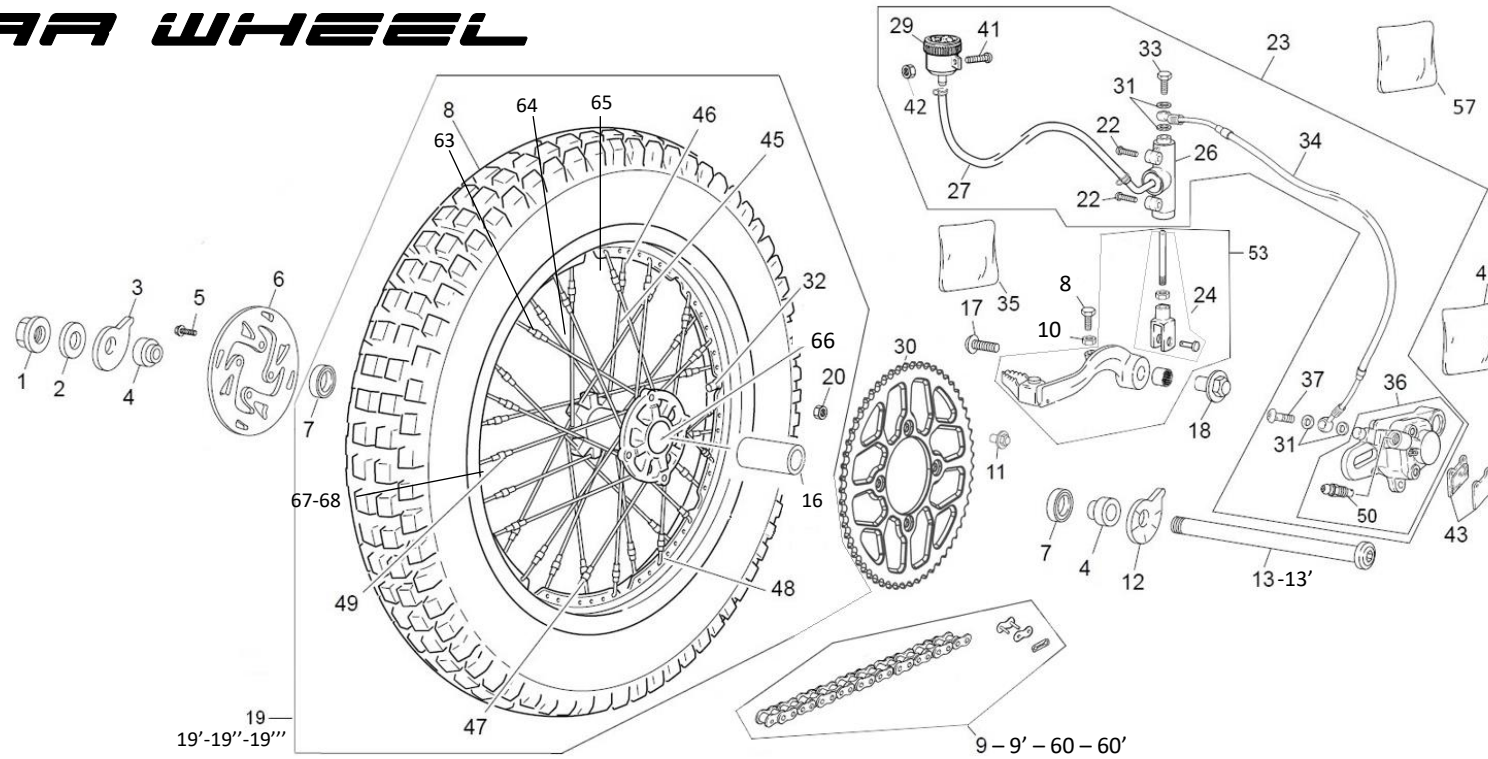
N°	REF.EM	DESIGNATION	Qty	N°	REF.EM	DESIGNATION	Qty
1	OR002-08013-02-00-ZI.....	WASHER AET 8.....	2	13	TL02Q-30215-00-00.....	SUSPENSION ROCKER ROD	1
2	TL01Q-30103-00-00.....	SWINGARM NUT M14 BLACK.....	2	14	TL02Q-30216-00-00.....	SUSPENSION LINK ROD.....	1
3	OR001-10020-02-00.....	WASHER M10	2	15	OV100-08035-00-00.....	HEGAGONAL SCREW 8 X 35.....	2
4	TL02Q-30401-00-00.....	EPURE / ESCAPE REAR SHOCK ABSORBER	1	16	TC010-30113-00-00.....	SUSPENSION LINK SPACER.....	2
4'	TC01R-30414-00-00.....	REIGER EPURE RACE REAR SHOCK ABSORBER 2 WAY.....	1	18	OEC08-08000-00-00.....	NUT NYLSTOP M8.....	2
4''	RL03Q-30401-00-00.....	ESCAPE / ESCAPE R REAR SHOCK ABSORBER.....	1	19	TL01J-30106-00-00.....	NEEDLE BEARING 16 X 20 X 2RS.....	2
4'''	TC02R-30401-00-00.....	REIGER REAR SHOCK COMP.....	1	20	TL01J-30140-00-00.....	CHAIN GUIDE.....	1
5	TL01J-30411-00-00.....	BALL AND SOCKET SEAL R16V.....	1	21	OV040-05016-00-00.....	SCREW BHC 5 X 16.....	1
6	OV010-10042-04-00.....	AXLE 10 X 46.....	1	22	TL01J-30141-00-00.....	CHAIN PROTECTOR.....	1
7	OR001-10030-2E-00.....	WASHER 10 X 30.....	2	23	OV040-06010-00-00.....	SCREW BHC 6 X 10.....	2
8	TC020-30111-00-00.....	REAR SUSPENSION LINK WITH BEARINGS.....	2	24	OV040-05010-00-00.....	SCREW BHC 5 X 10.....	5
9	TC020-30108-02-00.....	REAR SUSPENSION DELTA LINK LEFT.....	1	25	OV040-08012-00-00.....	SCREW BHC 8 X 12.....	4
10	TC010-30109-00-00.....	SWING ARM SPACER	2	26	TL01J-30104-00-00.....	NEEDLE BEARING 20 x 20 X 2RS.....	4
11	TL01J-30107-00-00.....	SUSPENSION SPACER.....	1	27	TL01J-30105-00-00.....	SWINGARM SPACER.....	2
12	TC020-30108-01-00.....	REAR SUSPENSION DELTA LINK RIGHT.....	1	28	TC01Q-30130-00-00.....	CHAIN TENSIONER.....	1
				29	TC01P-30132-00-00.....	CHAIN TENSIONER SPRING.....	1

06 REAR SUSPENSION



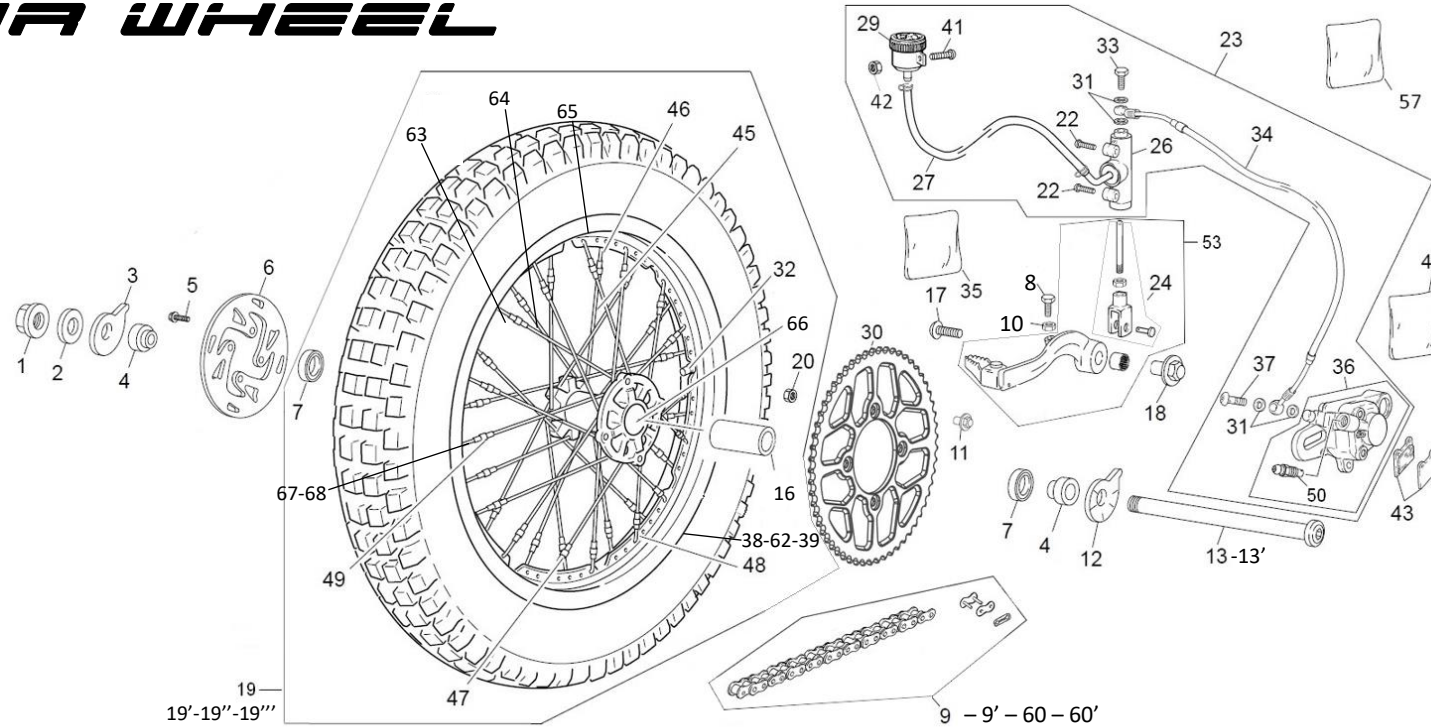
N°	REF.EM	DESIGNATION	Qty	N°	REF.EM	DESIGNATION	Qty
30	TL01J-30131-00-00.....	CHAIN TENSIONER SPACER	1	45	TL01J-30144-00-00.....	STAND RUBBER.....	1
31	OVO20-08035-00-00.....	SCREW FHC 8 X 35.....	1	48	TC01Q-30402-00-00.....	MEDIUM REAR SHOCK SPRING (GOLD).....	1
32	TL01J-30130-02-00.....	CHAIN TENSIONER RUBBER.....	1	50	OEC08-10000-00-00.....	NUT NYLSTOP M10.....	1
33	TL01J-30123-00-00.....	LATERAL STAND SPRING.....	1	53	RL03N-30402-00-00.....	HARD REAR SHOCK SPRING (WHITE).....	1
34	TL02R-30121-00-00.....	LATERAL STAND BLACK	1	54	ORARN-HK1516-2R-00.....	NEEDLE BEARING 15X21X16 X 2RS.....	8
36	TC02O-30108-03-00.....	DELTA LINK SPACER.....	1	55	TL02Q-30141-01-00.....	CHAIN GUARD SUPPORT BRACKET.....	1
37	TL01J-30120-00-00.....	STAND HOLDER.....	1	56	TL02O-30413-00-00.....	SPECIAL SHOCK ABSORBER SCREW.....	1
38	TL01J-30122-00-00.....	SPECIAL STAND SCREW.....	1	57	OEC15-10010-03-00.....	M10 NUT THIN THREAD	4
39	TC01Q-30101-00-00.....	BLACK SWINGARM 2022.....	1				
40	TL01J-30142-00-00.....	BRAKE DISC PROTECTOR.....	1				
41	TL01Q-30102-00-00.....	SWING ARM AXLE.....	1				
42	TL01J-30143-00-00.....	SPROCKET PROTECTOR.....	1				

07 REAR WHEEL



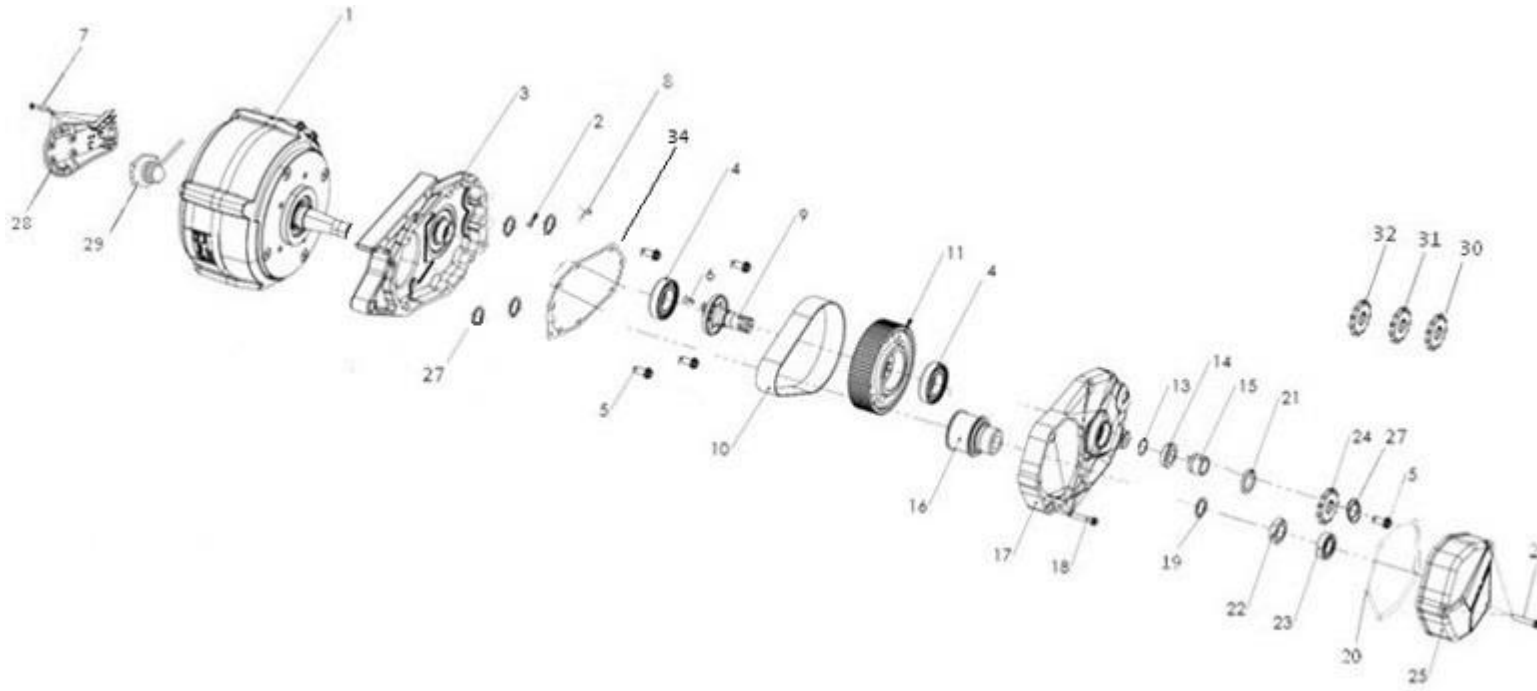
N°	REF.EM	DESIGNATION	Qty	N°	REF.EM	DESIGNATION	Qty
1	TL01Q-30303-00-00.....	BLACK M17 NUT.....	1	16	TL01J-30323-00-00.....	REAR HUB SPACER.....	1
2	OR001-16030-03-01.....	BLACK WASHER M16.....	1	17	OV010-08020-01-00.....	SCREW CHC 8X20 SHORT HEAD.....	2
3	TL02Q-30305-00-00.....	RIGHT CHAIN CAM ADJUSTER.....	1	18	TL02O-30201-01-02.....	BRAKE PEDAL SPACER.....	1
3'	TC02P-30305-00-00.....	COMP CHAIN ADJUSTER SET.....	1	19	TL02Q-30301-00-00.....	REAR TRIAL WHEEL ASSY EPURE SPORT.....	1
4	OE-013-17-027-00-00.....	REAR WHELL SPACER.....	2	19'	TC01Q-30301-00-00.....	REAR TRIAL WHEEL ASSY RACE ESCAPE R.....	1
5	OV150-06020-00-00.....	SCREW TH E 6 X 20.....	4	19''	TC02P-30301-00-00.....	REAR TRIAL WHEEL ASSY COMP.....	1
6	TC02Q-30203-00-00.....	2022 REAR FIM APPROVED BRAKE TRIAL DISC.....	1	19'''	TL02S-30301-00-00.....	COMPLETE REAR WHEEL ESCAPE S.....	1
7	ORBR1-06004-01-00.....	6004 2RS HUB BEARING.....	2	20	OEC08-08000-00-00.....	NUT NYLSTOP M8.....	4
8	OEC02-05000-00-00.....	M5 NUT.....	1	21	TL01J-30221-00-00.....	REAR BRAKE ROD.....	1
9	OCHA4-28126-00-05.....	LOW FRICTION CHAIN EPURE RACE/COMP.....	1	22	OV040-06016-00-00.....	SCREW BHC 6 X 20.....	2
9'	OCHA4-28128-00-05.....	LOW FRICTION CHAIN ESCAPE R.....	1	23	TL01J-30200-00-00.....	COMPLETE REAR BRAKE.....	1
10	OV050-05020-00-00.....	SCREW TH M5x20.....	1	24	TL01J-30220-00-00.....	BRAKE PEDAL CLEVIS ASSEMBLY.....	1
11	OV020-08025-00-00.....	SCREW FHC M8x25.....	4	25	OEC02-06000-00-00.....	STANDARD NUT M6.....	1
12	TL02Q-30304-00-00.....	LEFT CHAIN CAM ADJUSTER BLACK.....	1	26	TL01J-30202-00-00.....	REAR BRAKE PUMP.....	1
13	TL02Q-30302-00-00.....	BLACK REAR WHEEL AXLE.....	1	27	TL01J-30210-00-00.....	FLUID TANK PIPE.....	1
13'	TL01J-30302-00-00.....	BLANK REAR WHEEL AXLE.....	1	29	TL01J-30209-00-00.....	BRAKE FLUID TANK.....	1
15	TC01R-30201-00-00.....	REAR BRAKE PEDAL.....	1				

07 REAR WHEEL



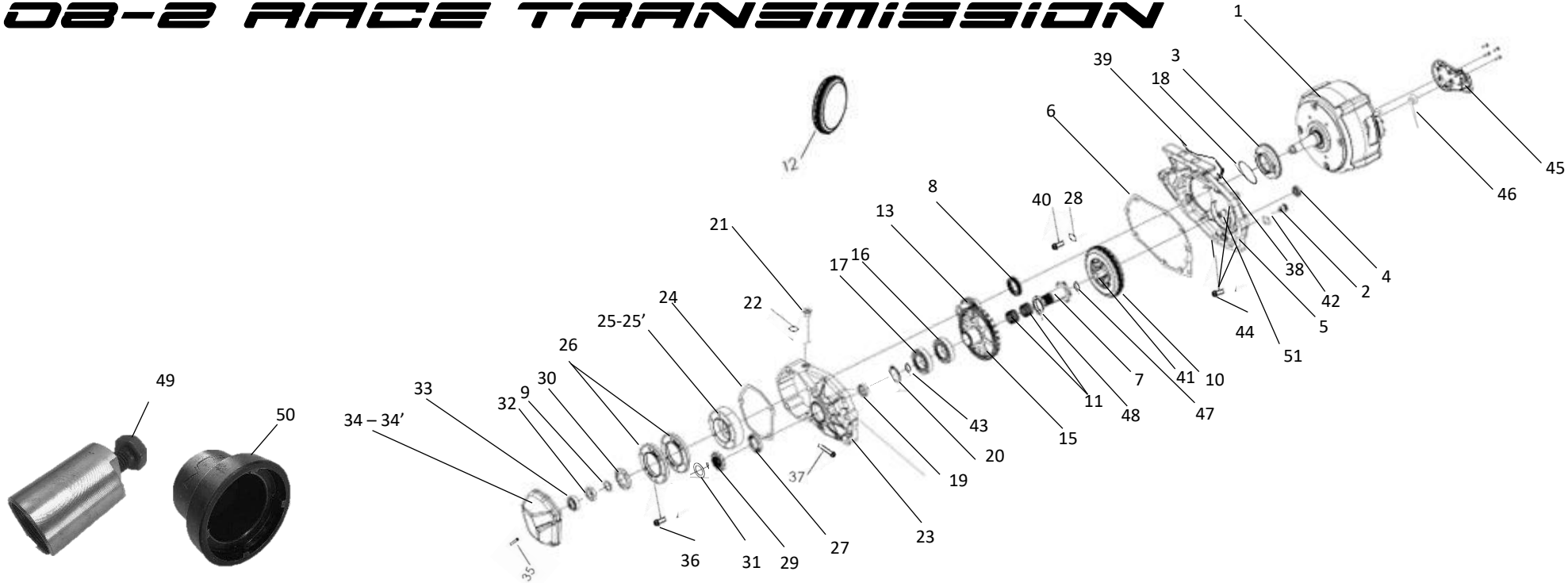
N°	REF.EM	DESIGNATION	Qty	N°	REF.EM	DESIGNATION	Qty
30	OCR30-00428-53-00.....	SPROCKET 53 T EPURE RACE/SPORT/COMP.....	1	46	TL01J-30326-00-00.....	REAR WHEEL SHORT DISC BLACK SPOKE	16
30''	OCR30-00428-57-01.....	SPROCKET 57 T ESCAPE R.....	1	47	TL01J-30315-00-00.....	REAR WHEEL SPROCKET BLACK SPOKE	16
30'''	OCR30-00428-57-00-B.....	SPROCKET 57 T ESCAPE.....	1	48	TL01J-30314-00-00.....	REAR WHEEL SHORT SPROCKET BLACK SPOKE	16
31	OJA00-10014-1E-00.....	WASHER 10 X 14 X 1,5.....	4	49	TL01J-30313-00-00.....	REAR BLACK SPOKE NUT	32
32	TL01J-30320-00-00.....	TUBELESS VALVE.....	1	50	TL01J-30207-00-00.....	REAR BLEEDER CAP ASSY	1
33	OV160-10021-00-00.....	SCREW BHC PRESSURE HOSE.....	1	53	TC01R-30201-00-00.....	COMPLETE BRAKE PEDAL. WITH CLEVIS	1
34	TL01J-30208-00-00.....	REAR BRAKE HOSE.....	1	57	TL01J-30214-00-00.....	REAR PAD KIT	1
35	TL01J-30212-00-00.....	REAR BRAKE PUMP KIT REPAIR.....	1	60	OCHA4-28126-00-02.....	REINFORCED CHAIN EPURE.....	1
36	TL01J-30204-00-00.....	REAR BRAKE CALIPER.....	1	60'	OCHA4-28128-00-02.....	REINFORCED CHAIN EPURE.....	1
37	OV140-10021-00-00.....	SCREW TH PRESSURE HOSE.....	1	62	TL02Q-30311-00-12.....	REAR WHEEL LITE/ESCAPE WITHOUT TYRE	1
38	TC02Q-30311-00-12.....	REAR WHEEL COMP WITHOUT TYRE.....	1	63	TC01J-30316-00-00.....	REAR WHEEL DISC GREY SPOKE	16
39	TC01Q-30311-00-12.....	REAR WHEEL RACE/ESCAPE R WITHOUT TYRE.....	1	64	TC01J-30315-00-00.....	REAR WHEEL SPROCKET GREY SPOKE	16
40	TL01J-30213-00-00.....	REAR CALIPER REPAIR KIT.....	1	65	TC01L-30313-00-00.....	REAR GREY SPOKE NIPPLE	32
41	OV100-06016-00-00.....	SCREW BHC BASE M5X12.....	1	66	TL01J-30310-00-00.....	REAR HUB	1
42	OEC08-05000-00-00.....	NUT NYLSTOP M5.....	1	67	TL01J-30311-00-00.....	REAR RIM (BLACK SPOKE)	1
43	TL01J-30205-00-00.....	PAIR REAR BRAKE PAD.....	1	68	TC01J-30311-00-00.....	REAR RIM (GREY SPOKE)	1
45	TL01J-30316-00-00.....	REAR WHEEL DISC BLACK SPOKE	16				

08-1 ESCAPE "S" TRANSMISSION



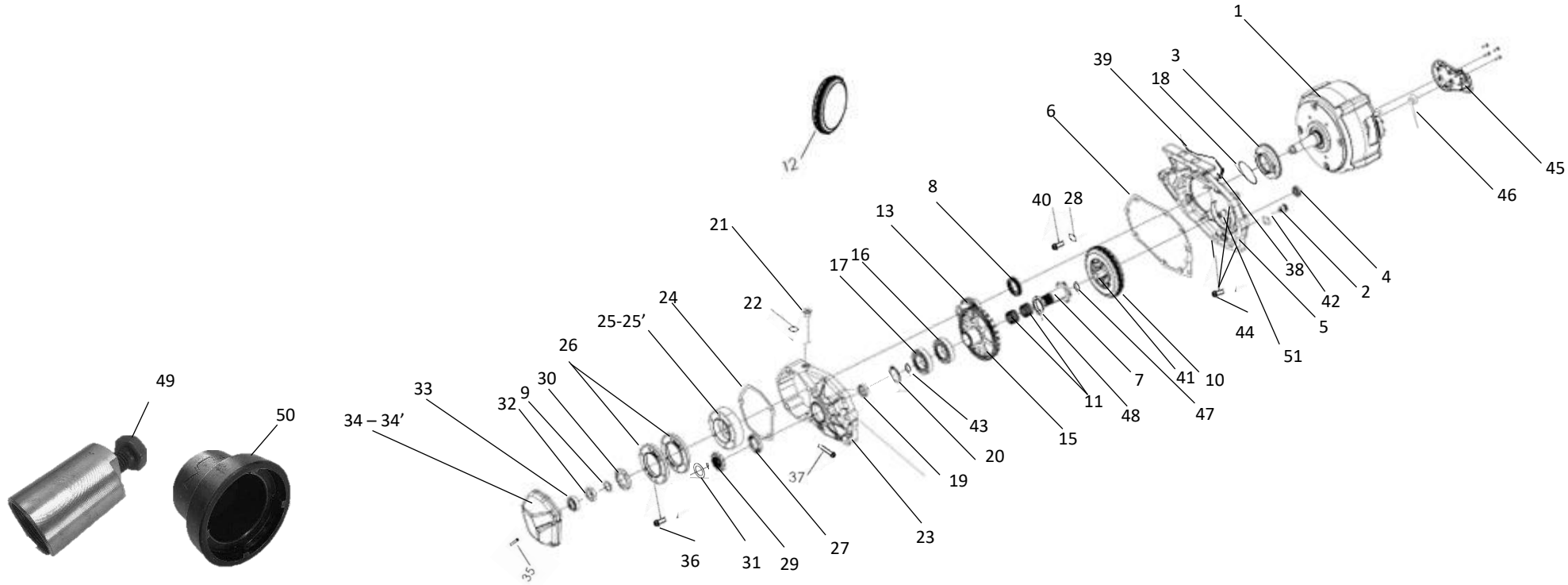
N°	REF.EM	DESIGNATION	Qty	N°	REF.EM	DESIGNATION	Qty
1	TC010-40100-01-00.....	ENGINE.....	1	20	TC010-50149-00-00.....	INERTIA GASKET	1
2	OV009-05006-00-00.....	HEAD LESS SCREW M5x6 Hex.....	3	21	OSP25-04206-00-00.....	OIL SEAL 25x42x6.....	1
3	TL02Q-50101-01-00.....	RIGHT MAIN CARTER.....	1	22	OEC03-20009-00-00.....	NUT M20.....	1
4	ORBR1-06006-01-00.....	BEARING 6006.....	2	23	ORBR1-06003-01-00.....	BEARING 6003 2RS.....	1
5	OV150-08020-00-00.....	SCREW THE M8X20.....	4	24	OP316-20428-11-00.....	11T SPROCKET.....	1
6	OV020-05012-09-00.....	SCREW FHC M5X12.....	6	25	TL02Q-50141-00-00.....	INERTIA CARTER.....	1
8	OPC-04010-00-00.....	PIN CENTERING.....	3	26	OV150-06045-00-00.....	SCREW THE M6X45.....	3
9	TL02O-50111-00-00.....	SECONDARY SHAFT.....	1	27	OR012-08018-00-00.....	WASHER CONTACT M8X18.....	5
10	TL02N-50128-00-00.....	BELT 8M GT3 -480-25mm.....	1	28	TC010-40113-00-00.....	MOTOR SENSOR COVER.....	1
11	TL02N-50120-00-00.....	DRIVEN PULLEY 8M 50T.....	1	29	TL01N-40100-00-02.....	SENSOR.....	1
13	OJT00-01921-01-00.....	O-RING 19X21X1.....	1	30	OP316-20428-13-10.....	SPROCKET 13 TEETH.....	1
14	ORBR1-06004-01-00.....	BEARING 6004 2RS.....	1	31	OP316-20428-09-10.....	SPROCKET 9 TEETH.....	1
15	TL02Q-50131-00-00.....	SPROCKET SPACER.....	1	32	OP316-20428-10-10.....	SPROCKET 10 TEETH.....	1
16	TL02N-50123-00-00.....	DRIVE PULLEY 8M 20T.....	1	33	TL02O-T0201-00-00.....	FIRST GEAR/PULLEY TOOL EXTRACTOR.....	1
17	TL02Q-50102-01-00.....	LEFT MAIN CARTER.....	1	34	TC010-50148-00-00.....	MAIN GASKET.....	1
18	OV150-06035-00-00.....	SCREW THE M6x35.....	7				
19	OR001-20060-04-00.....	WASHER M20.....	1				

08-2 RACE TRANSMISSION



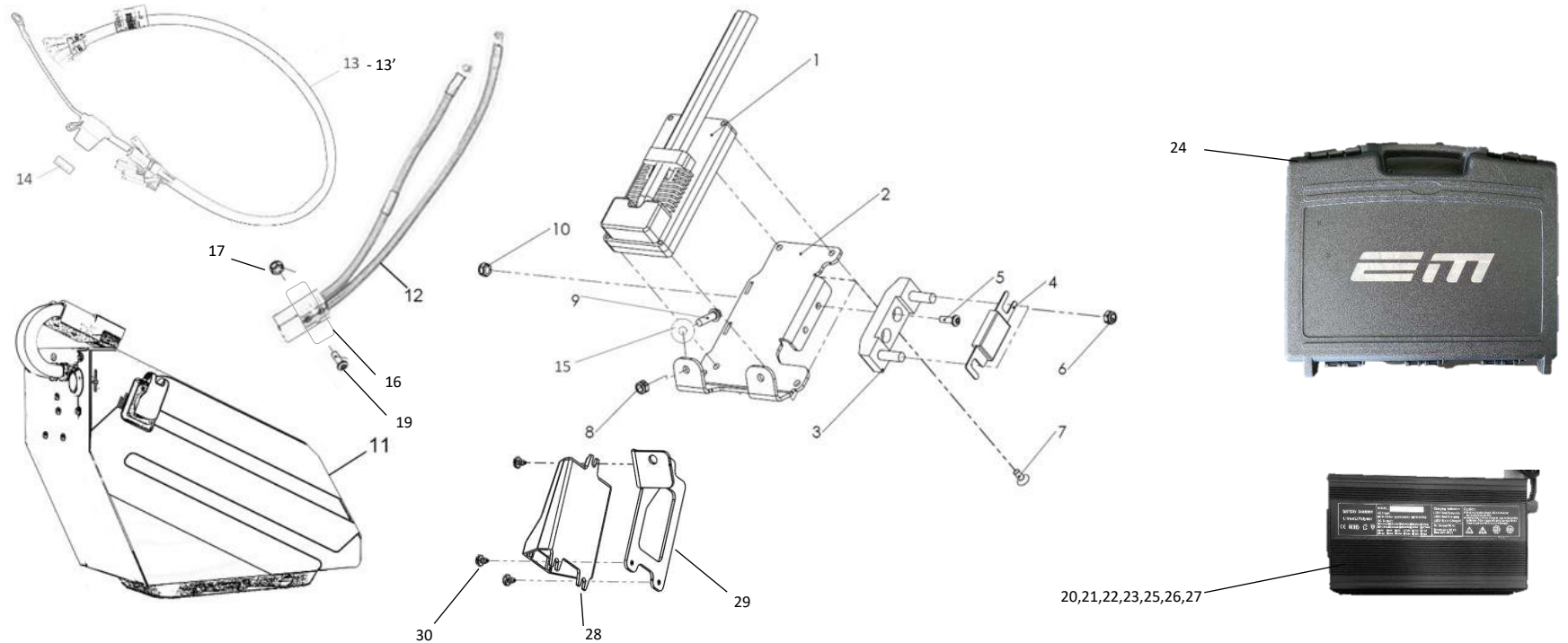
N°	REF.EM	DESIGNATION	Qty	N°	REF.EM	DESIGNATION	Qty
1	TC010-40100-01-00.....	ENGINE.....	1	19	TC010-50131-00-00.....	SPROCKET SPACER.....	1
2	TC010-50506-00-00.....	EMPTYING CAP WITH MAGNET.....	1	20	OJT00-24028-02-00.....	O-RING 24,6X1,8.....	2
3	TC010-50147-00-00.....	ENGINE GEAR ADJUSTER.....	1	21	TC010-50505-00-00.....	OIL PLUG.....	1
4	TC010-50507-00-00.....	OIL LEVEL EYE.....	1	22	OR010-12018-02-00.....	WASHER 12X18.....	1
5	TC01S-50101-01-00.....	RIGHT MAIN CARTER EPURE RACE.....	1	23	TC01S-50102-01-00.....	LEFT MAIN CARTER EPURE RACE.....	1
5'	TC01Q-50101-01-00.....	RIGHT MAIN CARTER EPURE COMP/SPORT/ESCAPE.....	1	23'	TC01Q-50102-01-00.....	LEFT MAIN CARTER EPURE COMP/SPORT/ESCAPE.....	1
6	TC010-50148-00-00.....	MAIN GASKET.....	1	24	TC010-50149-00-00.....	FLYWHEEL GASKET.....	1
7	TC010-50503-00-00.....	SECONDARY SHAFT.....	1	25	TC01S-50601-00-00.....	FLYWHEEL (RACE).....	1
8	OSP47-03007-00-00.....	OIL SEAL 30x47X7.....	1	25'	TC010-50601-00-00.....	FLYWHEEL (ESCAPE R).....	1
9	OR001-20060-04-00.....	WASHER 20.2X27X1.....	1	26	TC010-50602-00-00.....	FLYWHEEL MASS (ESCAPE R).....	2
10	TC02P-50500-00-00.....	COMPLETE CLUTCH.....	1	27	OSP47-03506-00-00.....	OIL SEAL 35X47X6.....	1
11	ORARN-K252917-00-00.....	NEEDLE CAGE 25X29X17.....	2	28	OR010-08014-01-00.....	WASHER M8.....	4
12	TC02P-50500-01-00.....	CLUTCH DISCS KIT RACE/ESCAPE R / COMP.....	1	29	OP422-25428-11-00.....	SPROCKET 11T- ESCAPE "R".....	1
13	TC010-50150-00-00.....	PRIMARY GEAR ESCAPE R.....	1	29'	OP422-25428-10-00.....	SPROCKET 10T - RACE / EPURE SPORT /COMP.....	1
13'	TC01S-50150-00-00.....	PRIMARY GEAR EPURE COMP/RACE/SPORT.....	1	30	TC010-50603-00-00.....	GEAR NUT.....	1
15	TC010-50502-00-00.....	CLUTCH CROWN.....	1	31	OCPO0-03023-01.....	CIRCLIP 23X1,5.....	1
16,17	ORBR0-06007-00-00.....	BEARING 6007.....	2	32	OEC03-20009-00-00.....	NUT M20.....	1
18	OJT00-86089-01-00.....	O-RING.....	1	33	ORBR1-06003-01-00.....	BEARING 6003 2RS.....	1

08-2 RACE TRANSMISSION



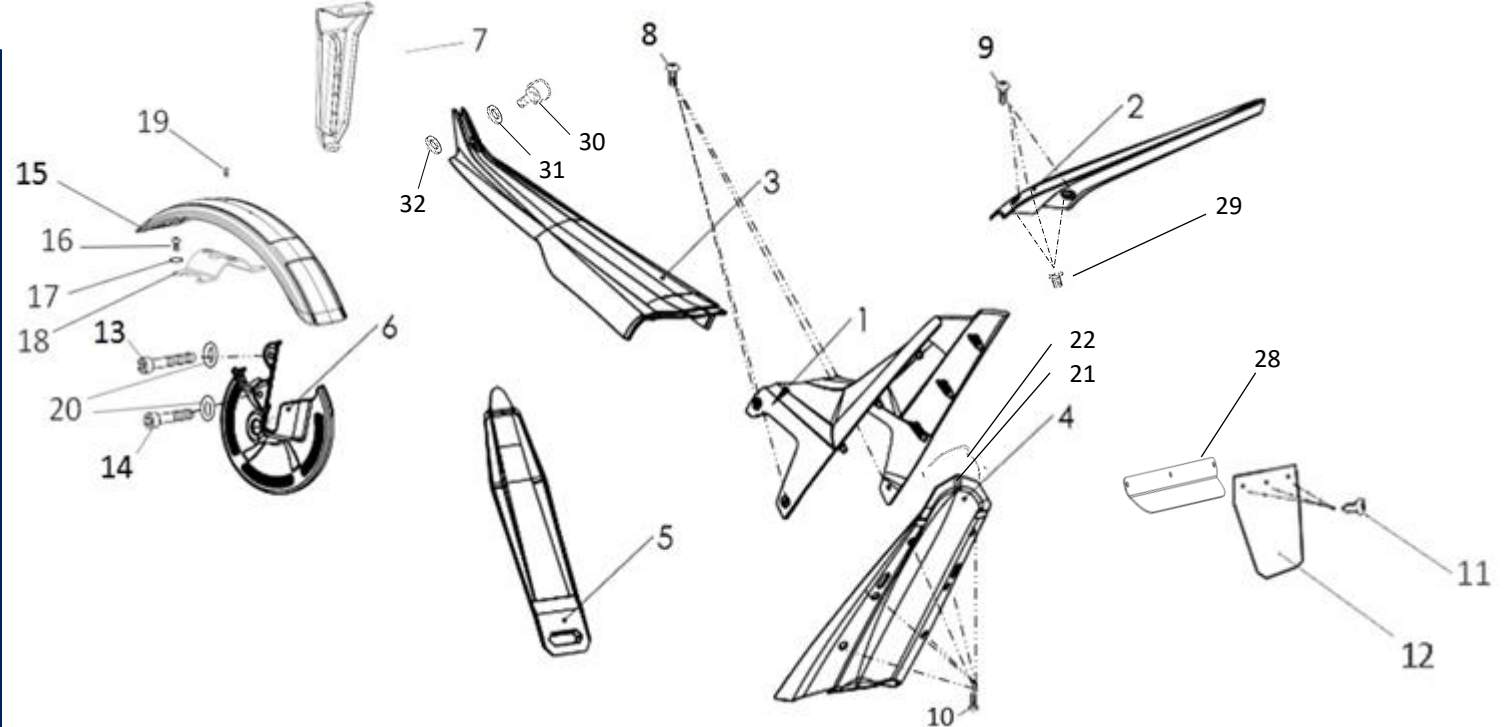
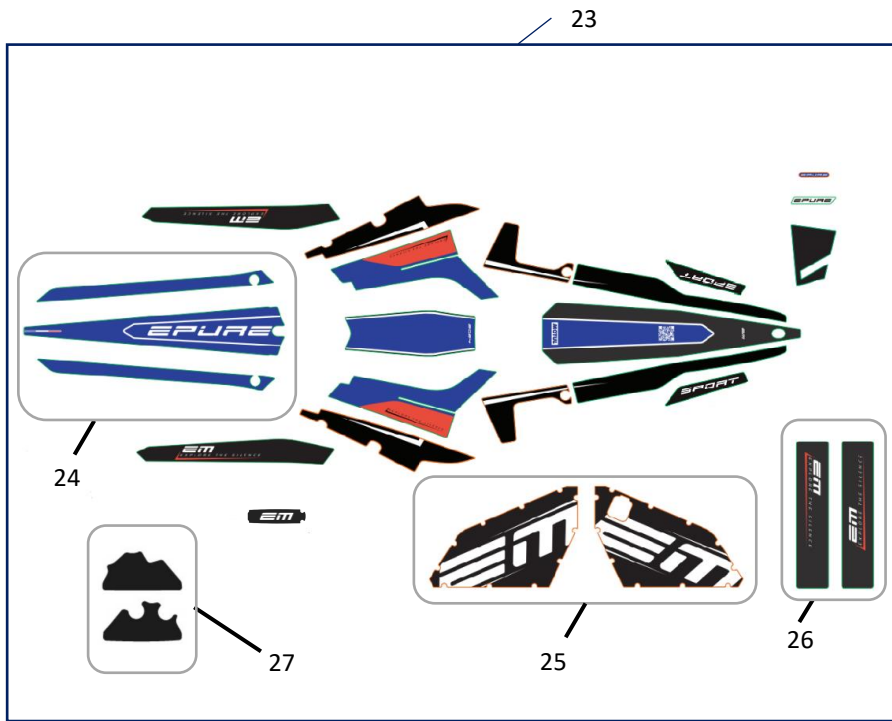
N°	REF.EM	DESIGNATION	Qty	N°	REF.EM	DESIGNATION	Qty
34	TC01S-50141-00-00.....	FLYWHEEL CARTER EPURE RACE.....	1	48	OBARN-AXK2542-00-00.....	THRUST NEEDLE ROLLER AXK2542.....	1
34'	TC01Q-50141-00-00.....	FLYWHEEL CARTER EPURE COMP/SPORT/ESCAPE.....	1	49	TL02O-T0201-00-00.....	FIRST GEAR/PULLEY TOOL EXTRACTOR.....	1
35	OV150-06035-00-00.....	SCREW THE M6x35.....	3	50	TL02O-T0202-00-00.....	INERTIA EXTRACTOR.....	1
36	OV040-06030-00-00.....	SCREW BHC M6X25.....	6	51	OJT00-11014-01-00.....	ORING SEAL 11,5x1,5.....	2
37	OV150-06035-00-00.....	SCREW THE M6x35.....	7				
38	TC01O-50508-00-00.....	EVAPORATION T.....	1				
39	TC01O-50509-00-00.....	EVAPORATION HOSE.....	1				
40	OV150-08020-00-00.....	SCREW THE M8X20.....	4				
41	TC01R-50514-00-00.....	PISTON.....	1				
42	OR010-12018-02-00.....	WASHER 12X18.....	1				
43	OCPO0-01035-01.....	CIRCLIP 35X1,5.....	1				
44	OPC-04010-00-00.....	PIN CENTERING.....	3				
45	TC01R-40113-00-00.....	MOTOR COVER SENSOR 2.0.....	1				
46	TL02R-40100-00-02.....	ENCODER 2.0.....	1				
47	OBARN-AXK1730-00-00.....	THRUST NEEDLE ROLLER AXK1730.....	1				

9 ELECTRIC INSTALLATION



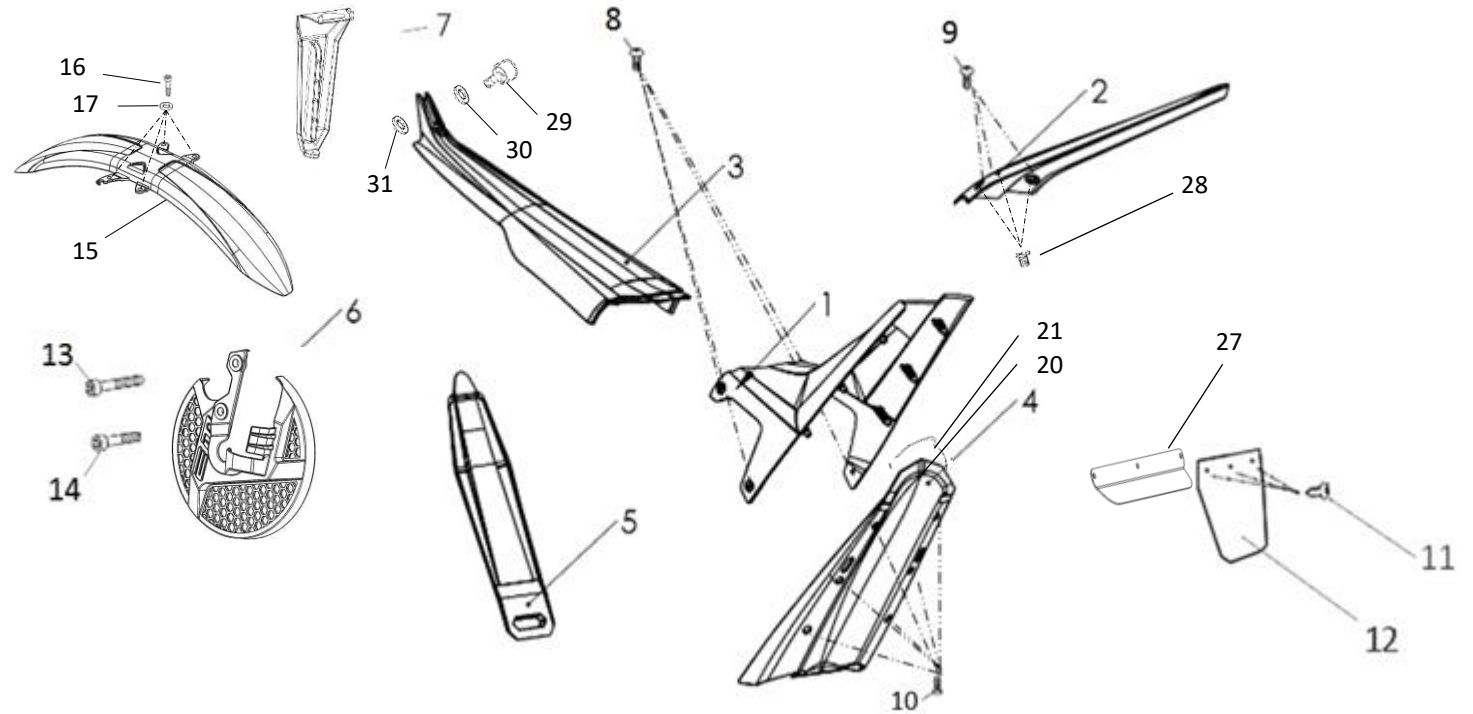
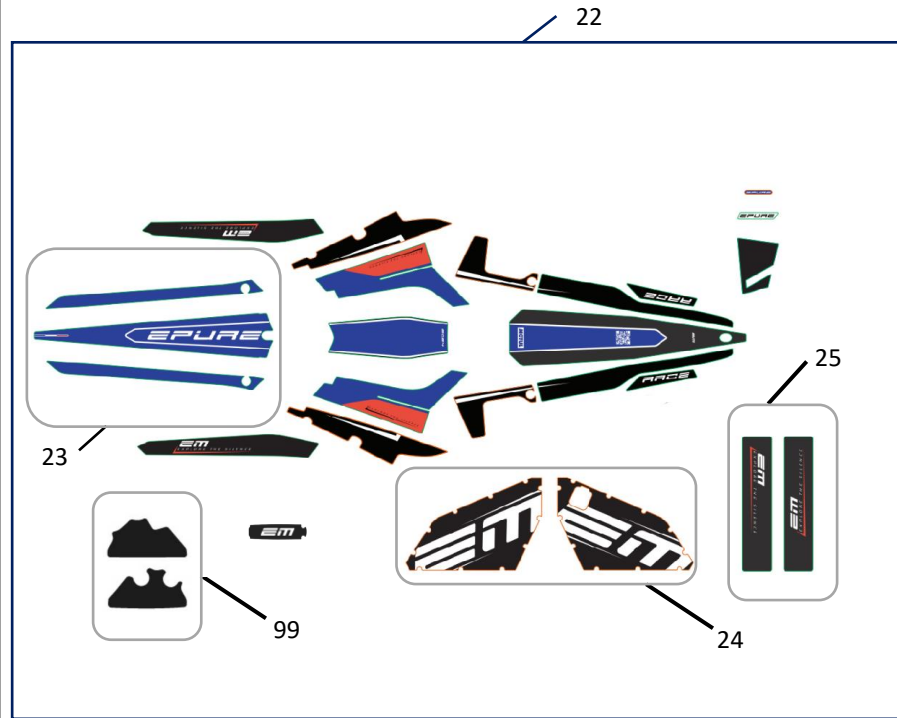
N°	REF.EM	DESIGNATION	Qty	N°	REF.EM	DESIGNATION	Qty
1	TL02R-50301-00-00.....	CONTROLLER.....	1	16	TL02R-60517-00-00.....	MAIN CONNECTOR SUPPORT.....	1
2	TL02Q-60515-00-00.....	CONTROLLER SUPPORT.....	1	17	OEC08-05000-00-00.....	M5 NYLSTOP NUT.....	2
3,4	TL01H-50208-00-00.....	FUSE SUPPORT + FUSE.....	1	19	OV040-05025-00-00.....	SCREW BHC M5x25.....	2
5	OV040-05016-00-00.....	SCREW BHC M5X16.....	2	20	CHG01-52006-02-01-ASM.....	6A CHARGER.....	1
6	OEC08-08000-00-00.....	NUT NYLSTOP M8.....	2	21	CHG01-52010-03-03-ASM.....	10A CHARGER (SERIAL EPURE SPORT).....	1
7	OV020-05012-00-00.....	SCREW FHC M5X12.....	4	22	CHG01-52015-03-03-ASM.....	15A CHARGER (SERIAL) 220V.....	1
8	OEC08-06000-00-00.....	NUT NYLSTOP M6.....	2	23	CHG01-52025-03-03-ASM.....	25A CHARGER.....	1
9	OV150-06016-00-00.....	SCREW THE M6X16.....	2	24	CHG01-52010-04-03-ASM.....	10A CHARGER (SERIAL EPURE SPORT) 110V.....	1
10	OCE05-15620-00-00.....	NUT NYLSTOP M5.....	2	25	TC01Q-60802-00-00.....	CHARGER CASE.....	1
11	TL02R-50200-00-00.....	BATTERY PACK.....	1	26	CHG0152015-04-03-ASM.....	15A CHARGER (SERIAL) 110V.....	1
12	TL02O-50212-00-00.....	DISCHARGING CABLE.....	1	27	CHG0152025-04-03-ASM.....	25A CHARGER 110V.....	1
13	TL02O-50404-00-00.....	HARNESS PRINCIPAL.....	1	28	TL02S-50701-00-00.....	TCU.....	1
13'	TL02S-50404-00-00.....	HARNESS PRINCIPAL 2024 WITH TCU.....	1	29	TL02S-50702-00-00.....	TCU HOLDER.....	1
14	FUS02-00002-00-00.....	FUSE 2A.....	1	30	OV023-04006-00-00.....	M4X6 SCREW EM.....	3
15	OR001-06014-02-00.....	WASHER M6.....	2				

10-1 PLASTICS AND STICKERS EPURE SPORT



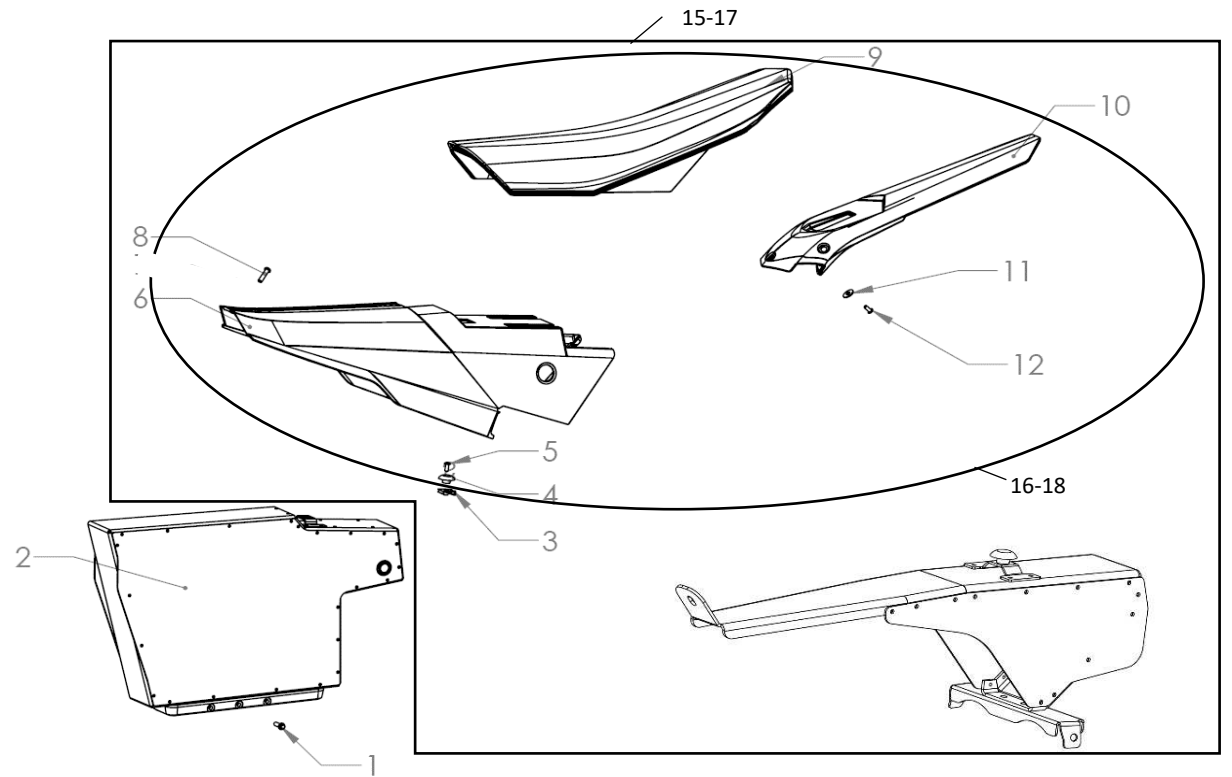
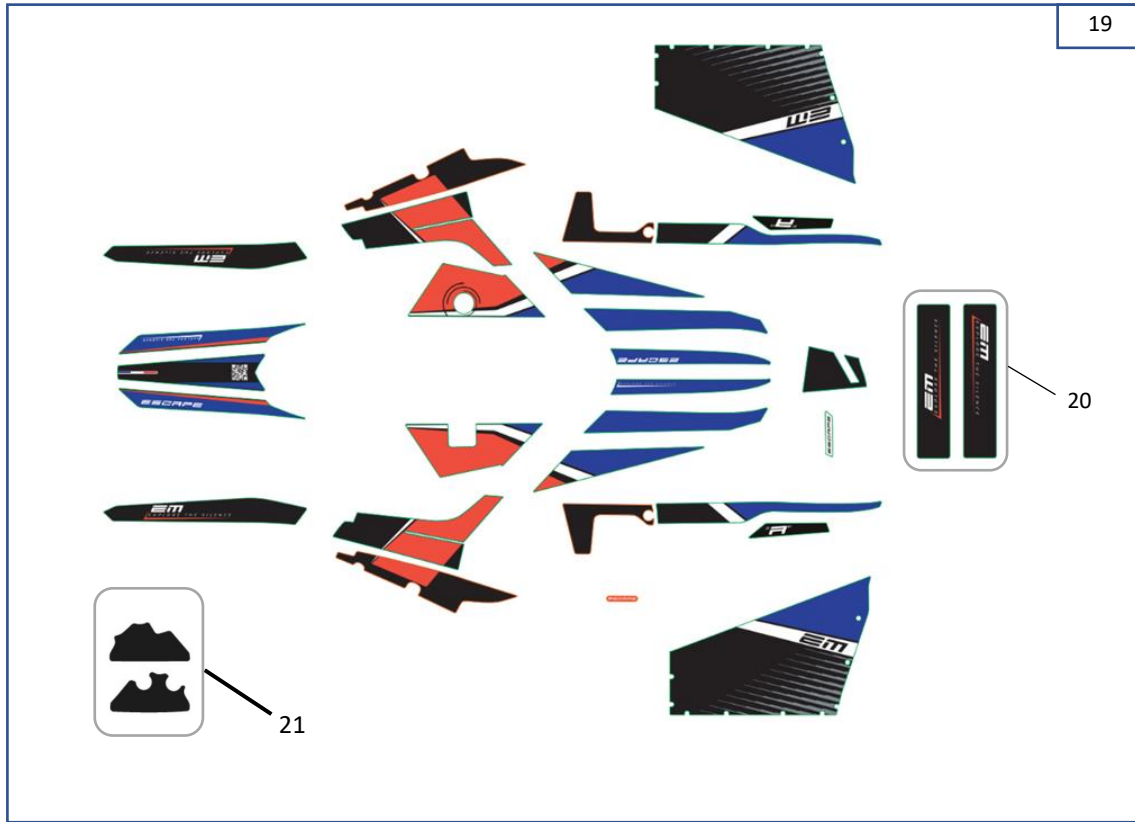
N°	REF.EM	DESIGNATION	Qty	N°	REF.EM	DESIGNATION	Qty
1	TL02O-70213-00-00.....	SEAT BASE.....	1	17	OR001-06018-02-00.....	WASHER M6.....	4
2	TL02O-70302-00-00.....	REAR MUDGUARD.....	1	18	TL01K-20140-00-00.....	MUD GUARD SUPPORT.....	1
3	TL02O-70201-00-00.....	TOP COVER.....	1	19	OV040-05012-00-01.....	SCREW BHC M5x12 BLACK.....	2
4	TL02O-70303-00-00.....	WHEEL ARCH.....	1	20	OR001-08018-02-00.....	WASHER M8.....	
5	TL02O-70203-00-00.....	BATTERY COVER.....	1	21	TL02O-60202-00-00-ASM.....	REAR LED MINI.....	1
6	TL01J-70105-00-00.....	DISC BRAKE COVER.....	1	22	TC01Q-70303-01-00.....	WHEEL ARCH FOAM.....	1
7	TC01P-70104-00-00-ASM.....	FRONT PLATE WITH LIGHT.....	1	23	TL02S-81201-00-00.....	STICKERS EPURE RACE / SPORT.....	1
8	OV100-06016-00-01.....	SCREW BHC M6x16.....	4	24	TL02S-81512-00-00.....	STICKERS EPURE REAR MUDGUARD.....	1
9	OV004-05016-00-00.....	M5 SPECIAL SCREW.....	3	25	TL02S-81506-00-00.....	STICKERS EPURE BATTERY SET.....	1
10	OV015-03020-00-00.....	SCREW 3X20.....	6	26	TC02S-81514-00-00.....	STICKERS EPURE / ESCAPE FORK SET.....	1
11	OV015-03006-00-00.....	SCREW 3X6.....	3	27	TL02R-81302-00-00.....	FRAME STICKERS.....	1
12	TL02R-60302-00-00.....	SUSPENSION PROTECTOR.....	1	28	TL02R-60302-01-00.....	SUSPENSION PROTECTOR GUIDE.....	1
13	OV010-08065-00-00.....	SCREW CHC 8 X 50.....	1	29	OECWE-05016-00-00.....	WELL NUT.....	1
14	OV010-08040-00-00.....	SCREW CHC 8 X 40.....	1	30	ODZ01-04012-00-00.....	DZUS.....	1
15	TL01J-70103-00-00.....	FRONT MUDGUARD.....	1	31	OR014-04010-00-01.....	LOCK WASHER.....	1
16	OV150-06016-00-00.....	SCREW M6x16.....	4	32	OR008-04010-00-01.....	PLASTIC WASHER.....	1

10-2 PLASTICS AND STICKERS EPURE RACE



N°	REF.EM	DESIGNATION	Qty	N°	REF.EM	DESIGNATION	Qty
1	TL020-70213-00-00.....	SEAT BASE.....	1	17	0R001-06018-02-00.....	WASHER M6.....	4
2	TL020-70302-00-00.....	REAR MUDGUARD.....	1	19	0V040-05012-00-01.....	SCREW BHC M5x12 BLACK.....	2
3	TL020-70201-00-00.....	TOP COVER.....	1	20	TL020-60202-00-00-ASM.....	REAR LED MINI.....	1
4	TL020-70303-00-00.....	WHEEL ARCH.....	1	21	TC01Q-70303-01-00.....	WHEEL ARCH FOAM.....	1
5	TL020-70203-00-00.....	BATTERY COVER.....	1	22	TL02S-81201-00-00.....	STICKERS EPURE RACE / SPORT.....	1
6	TL01S-70105-00-00-ASM.....	DISC BRAKE COVER.....	1	23	TL02S-81512-00-00.....	STICKERS EPURE RACE REAR MUDGUARD.....	1
7	TC01P-70104-00-00-ASM.....	FRONT PLATE WITH LIGHT.....	1	24	TL02S-81506-00-00.....	STICKERS EPURE RACE BATTERY SET.....	1
8	0V100-06016-00-01.....	SCREW BHC M6x16.....	4	25	TC02S-81514-00-00.....	STICKERS EPURE / ESCAPE FORK SET.....	1
9	0V004-05016-00-00.....	M5 SPECIAL SCREW.....	3	26	TL02R-81302-00-00.....	FRAME STICKERS.....	1
10	0V015-03020-00-00.....	SCREW 3X20.....	6	27	TL02R-60302-01-00.....	SUSPENSION PROTECTOR GUIDE.....	1
11	0V015-03006-00-00.....	SCREW 3X6.....	3	28	0ECWE-05016-00-00.....	WELL NUT.....	1
12	TL02R-60302-00-00.....	SUSPENSION PROTECTOR.....	1	29	0DZ01-04012-00-00.....	DZUS.....	1
13	0V010-08045-00-00.....	SCREW CHC 8 X 45.....	1	30	0R014-04010-00-01.....	LOCK WASHER.....	1
14	0V010-08035-00-00.....	SCREW CHC 8 X 35.....	1	31	0R008-04010-00-01.....	PLASTIC WASHER.....	1
15	TL02S-70103-00-00-ASM.....	FRONT MUDGUARD.....	1				
16	0V150-06016-00-00.....	SCREW M6x16.....	4				

10-3 PLASTICS AND STICKERS ESCAPE



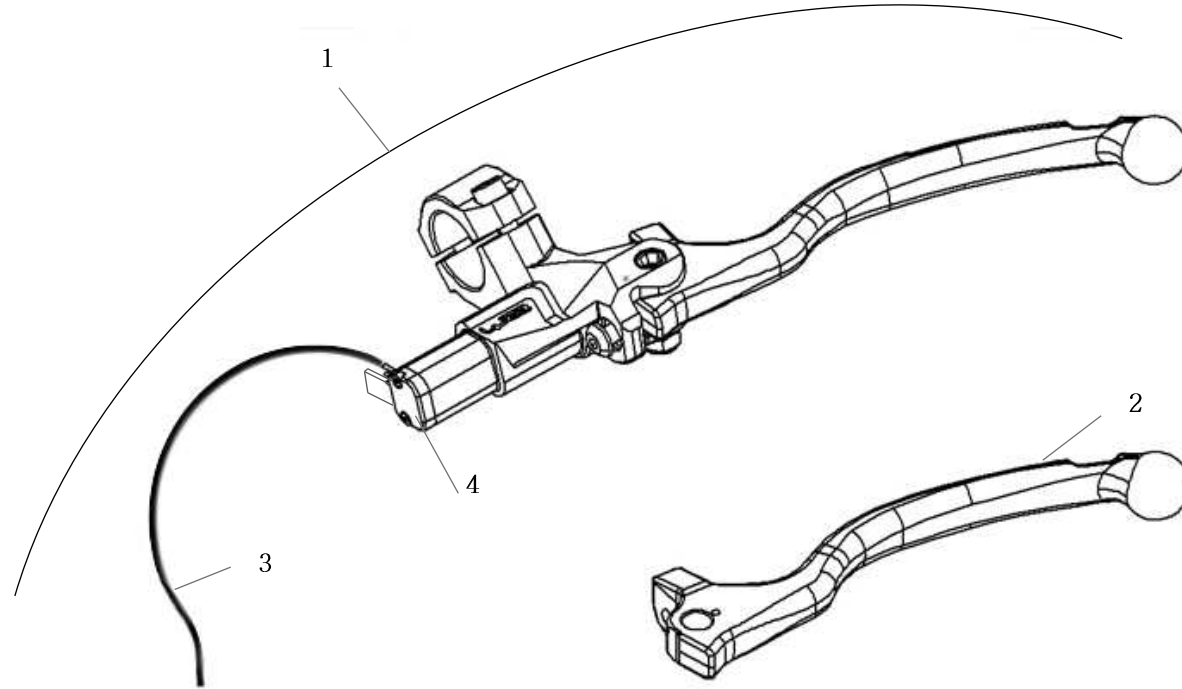
N°	REF.EM	DESIGNATION	Qty	N°	REF.EM	DESIGNATION	Qty
1	OV040-06020-00-00.....	SCREW M6x20.....	3	15	RL03Q-60704-00-00.....	ESCAPE KIT SUPPORT WITH STICKER KIT.....	1
2	RL03N-50200-00-00.....	ESCAPE BATTERY	1	16	RL03Q-60701-00-00.....	ESCAPE 22 PLASTICS SET WITH STICKERS KIT	1
3	OCE06-16024-09-ZI	NUT CLIP.....	1	17	RL03P-60704-00-01.....	ESCAPE KIT SUPPORT WITHOUT STICKERS.....	1
4	RL01F-60620-00-02	SPECIAL SEAT HOLDER.....	1	18	RL03P-60701-00-01.....	ESCAPE 2022 PLASTICS SET WITHOUT STICKERS.....	1
5	OV020-06020-00-00.....	SCREW FHC M6x20	1	19	RL03S-81201-00-00.....	STICKERS ESCAPE ESCAPE R/S 2024.....	1
6	RL03P-70201-00-00.....	MAIN ESCAPE PLASTIC COVER.....	1	20	TC02S-81514-00-00.....	STICKER FORK 2024 EPURE / ESCAPE.....	1
8	OV100-06035-00-01.....	BLACK SCREW M6x35.....	1	21	TL02R-81302-00-00.....	FRAME STICKERS	1
9	RL03P-60620-00-01.....	ESCAPE SEAT.....	1				
10	RL03N-70302-00-00.....	ESCAPE REAR MUDGUARD.....	1				
11	OR001-06018-02-01.....	M6 BLACK WASHER.....	1				
12	OV100-06016-00-01.....	BLACK SCREW M6x16.....	1				

10-4 COMP STICKERS



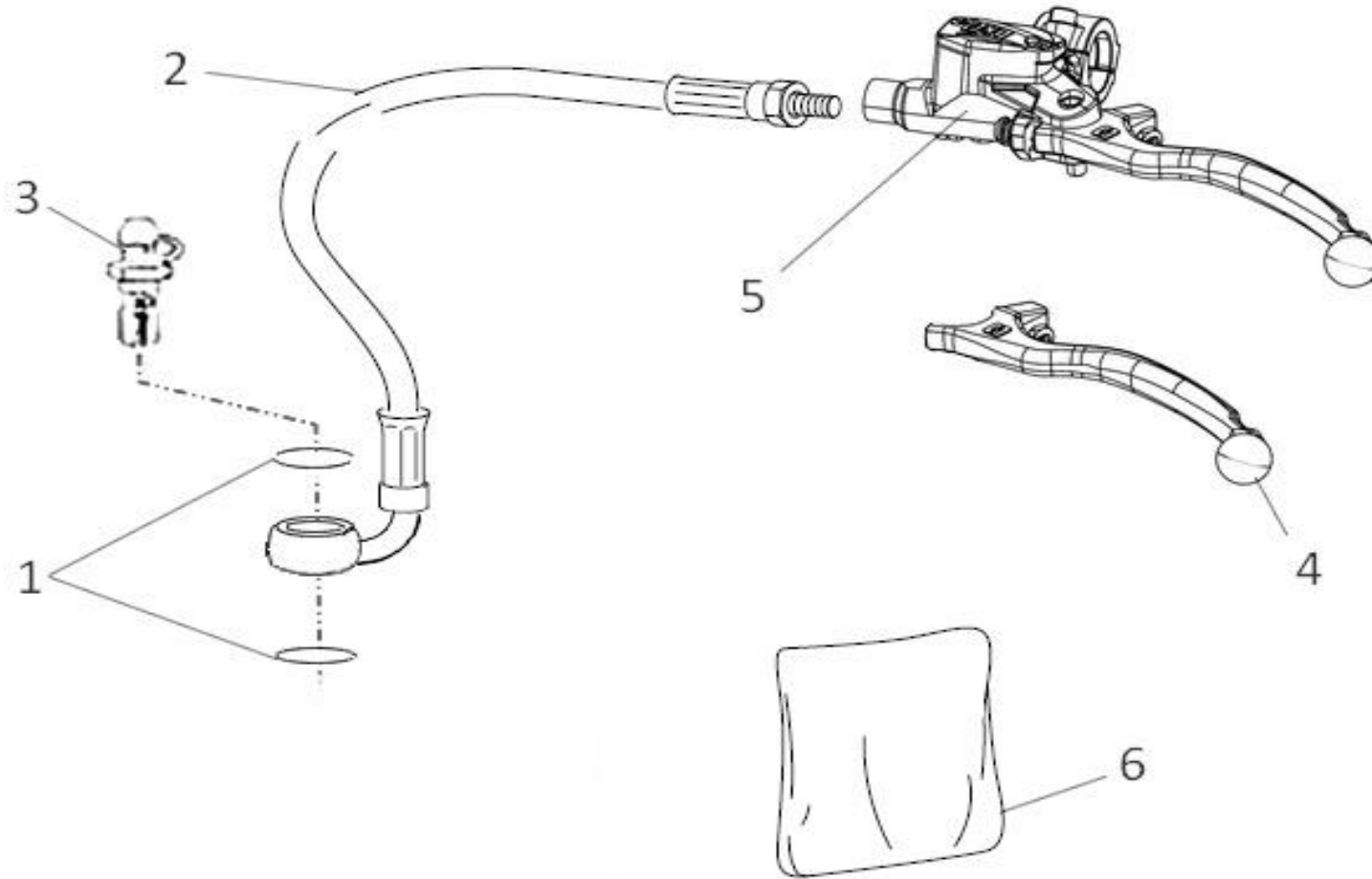
N°	REF.EM	DESIGNATION	Qty
1	TC02S-81201-00-00.....	STICKERS EPURE COMP.....	1
2	TC02S-81512-00-00.....	REAR MUDGUARD EPURE COMP STICKERS.....	1
3	TC02S-81511-00-00.....	SEAT BASE EPURE COMP STICKERS.....	1
4	TL02R-81302-00-00.....	FRAME STICKERS	1

11 PRB



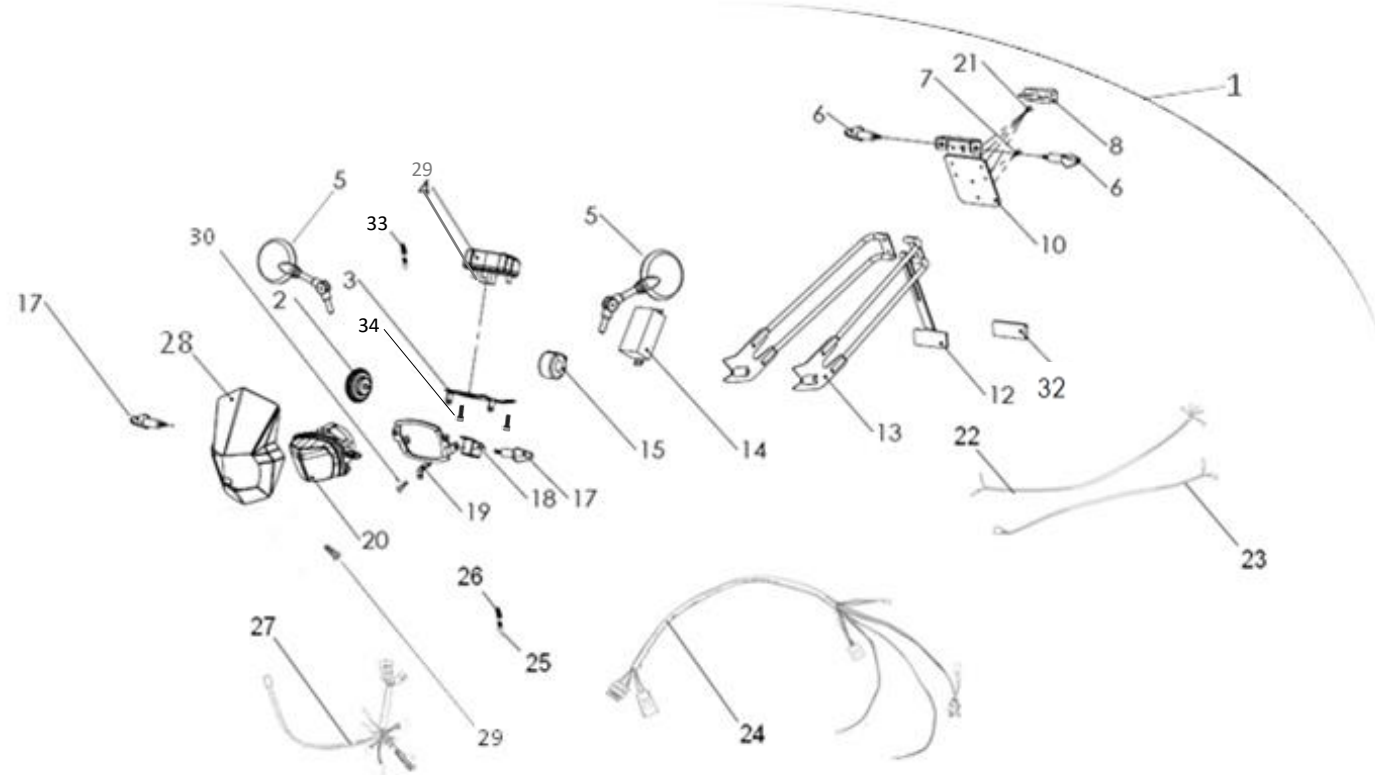
N°	REF.EM	DESIGNATION	Qty
1	TC01L-60403-00-00-ASM	PELS/PRB ASSEMBLY	1
2	TL01M-60403-02-00.....	PELS/PRB ANODIZED LEVER.....	1
3	TL01N-60404-00-00.....	PELS/PRB HARNESS SENSOR.....	1
4	TC01L-60413-00-00	2022 SENSOR COVER.....	1

12 HYDRAULIC CLUTCH SYSTEM



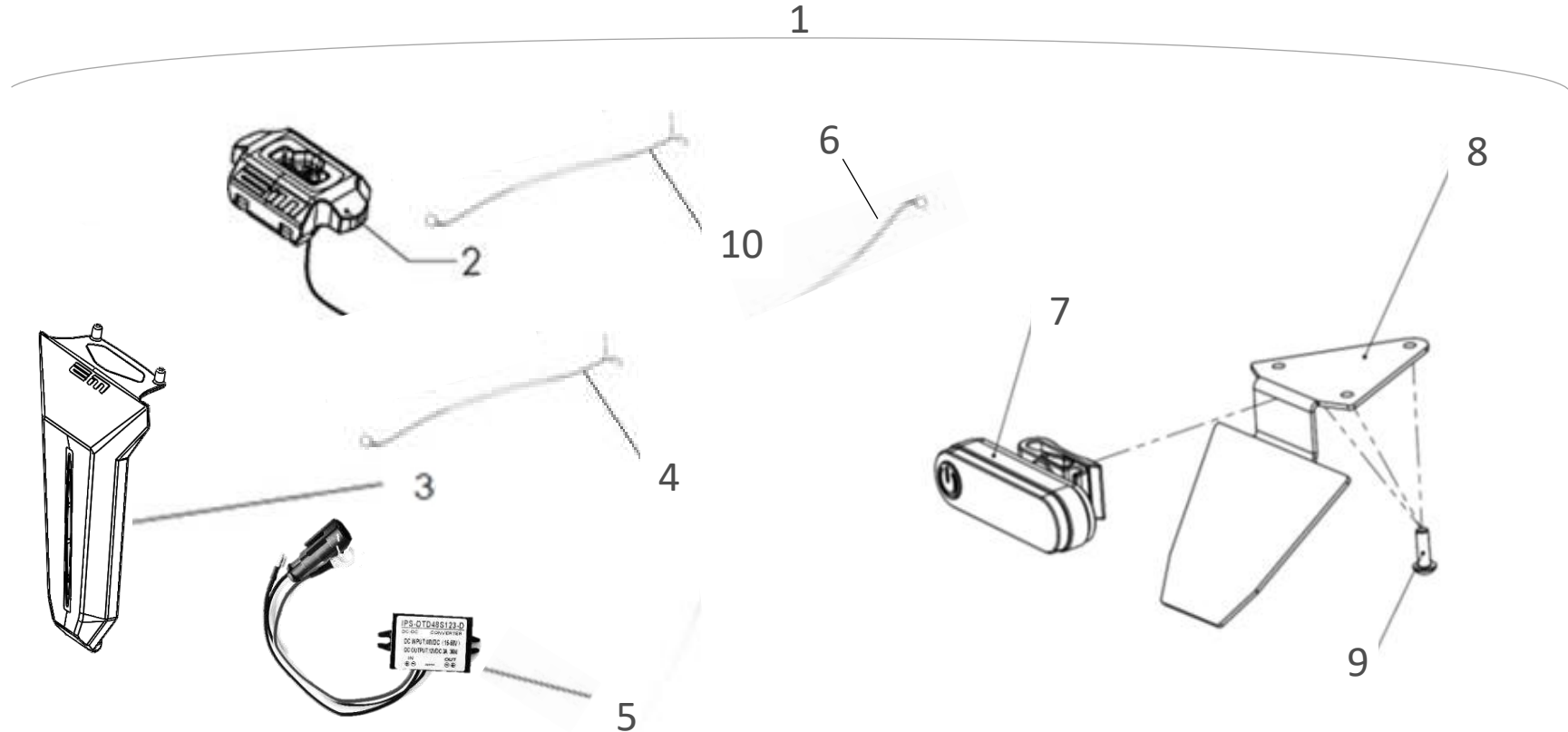
N°	REF.EM	DESIGNATION	Qty
1	OR010-10018-02-00.....	WASHER M10.....	2
2	TC010-50511-00-00.....	CLUTCH HOSE.....	1
3	TC010-50512-00-00.....	VIS + SCREW PURGE.....	1
4	TL01M-60403-02-00.....	LEVER CLUTCH.....	1
5	TC010-50510-00-00.....	CLUTCH MASTER CYLINDER.....	1
6	TC010-50516-00-00.....	REPAIR KIT.....	1

13 ON ROAD KIT

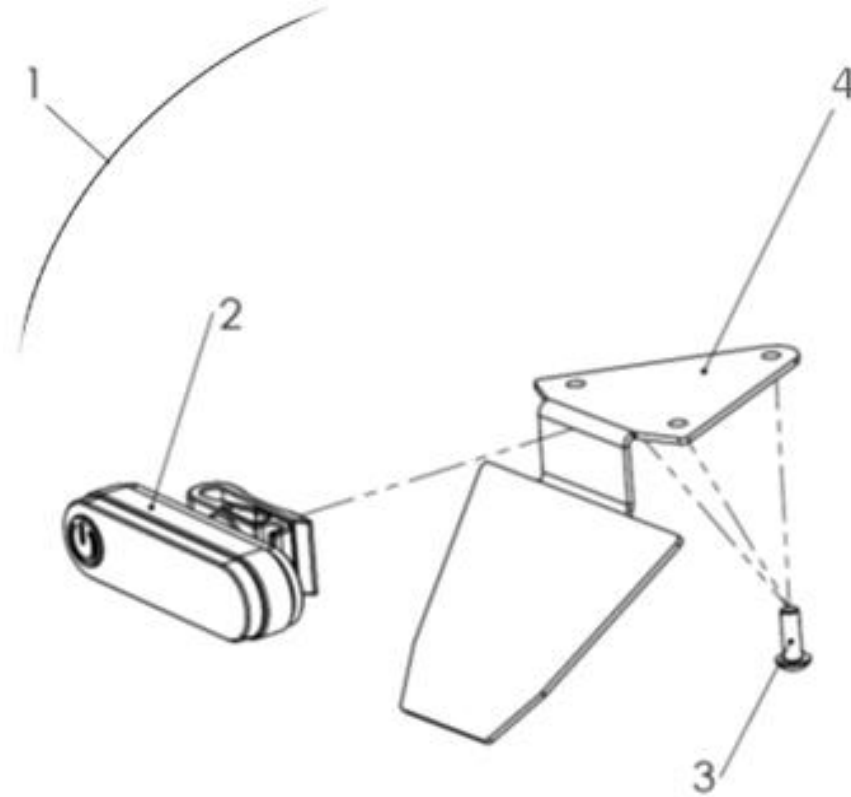


N°	REF.EM	DESIGNATION	Qty	N°	REF.EM	DESIGNATION	Qty
1	TL02Q-60600-00-00.....	GLOBAL ON ROAD KIT.....	1	19	TL02Q-60602-01-00.....	OPTICAL SUPPORT PLATE.....	1
2	TL01K-60603-00-00.....	HORN.....	1	20	TL02O-60602-00-00.....	COMPLETE LIGHT.....	1
3	TL02S-60503-00-00.....	SPEEDOMETER SUPPORT.....	1	21	ORV01-04008-10-00.....	RIVET 4X10.....	4
4	TL02O-60610-00-00.....	SPEEDOMETER.....	1	22	TL02O-50409-01-00.....	REAR ELECTRICAL WIRING SWINGARM.....	1
5	TL01K-60604-00-00.....	REAR VIEW MIRROR.....	2	23	TL02O-50409-02-00.....	REAR ELECTRICAL WIRING.....	1
6	RL01F-60606-00-00.....	TURN LIGHT LONG SET.....	1	24	TL02S-50403-00-00.....	ELECTRICAL WIRING.....	1
7	OV02O-05010-00-00.....	SCREW FHC M5X10.....	2	25	TL02O-60614-00-00.....	HYDRAULIC SENSOR.....	1
8	RL01F-60619-00-00-ASM.....	REAR LIGHT.....	1	26	TL02O-60614-01-00.....	CAP HYDRAULIC SENSOR.....	1
10	TC01O-60616-00-03.....	PLATE LICENCE SUPPORT.....	1	27	TL02S-50408-00-00.....	FRONT ELECTRICAL WIRING.....	1
12	TC01O-60616-00-01.....	REFLECTOR SUPPORT.....	1	28	TL02O-70104-00-00.....	HEADLIGHT.....	1
13	TC01O-60616-00-00.....	LICENCE PLATE SUPPORT.....	1	29	OV015-04010-00-00.....	SCREW M4x10 LARGE HEAD.....	3
14	TL01M-60601-00-00.....	CONVERTER 48V-12V.....	1	30	OV015-03010-00-00.....	SCREW M3x10.....	3
15	TL02O-60407-00-00.....	MAIN COMMUTATOR.....	1	32	RL01F-60615-00-00.....	RED READ REFLECTOR.....	1
17	RL01F-60607-00-00.....	TURN LIGHT SHORT SET.....	1	33	TL01K-60613-00-00.....	FRONT BRAKE SENSOR.....	1
18	RL01F-50406-00-00.....	INDICATOR CENTRAL UNIT.....	1	34	OV040-06010-00-00.....	SCREW BHC M6x10.....	2

14 COMPLETE OFF ROAD KIT

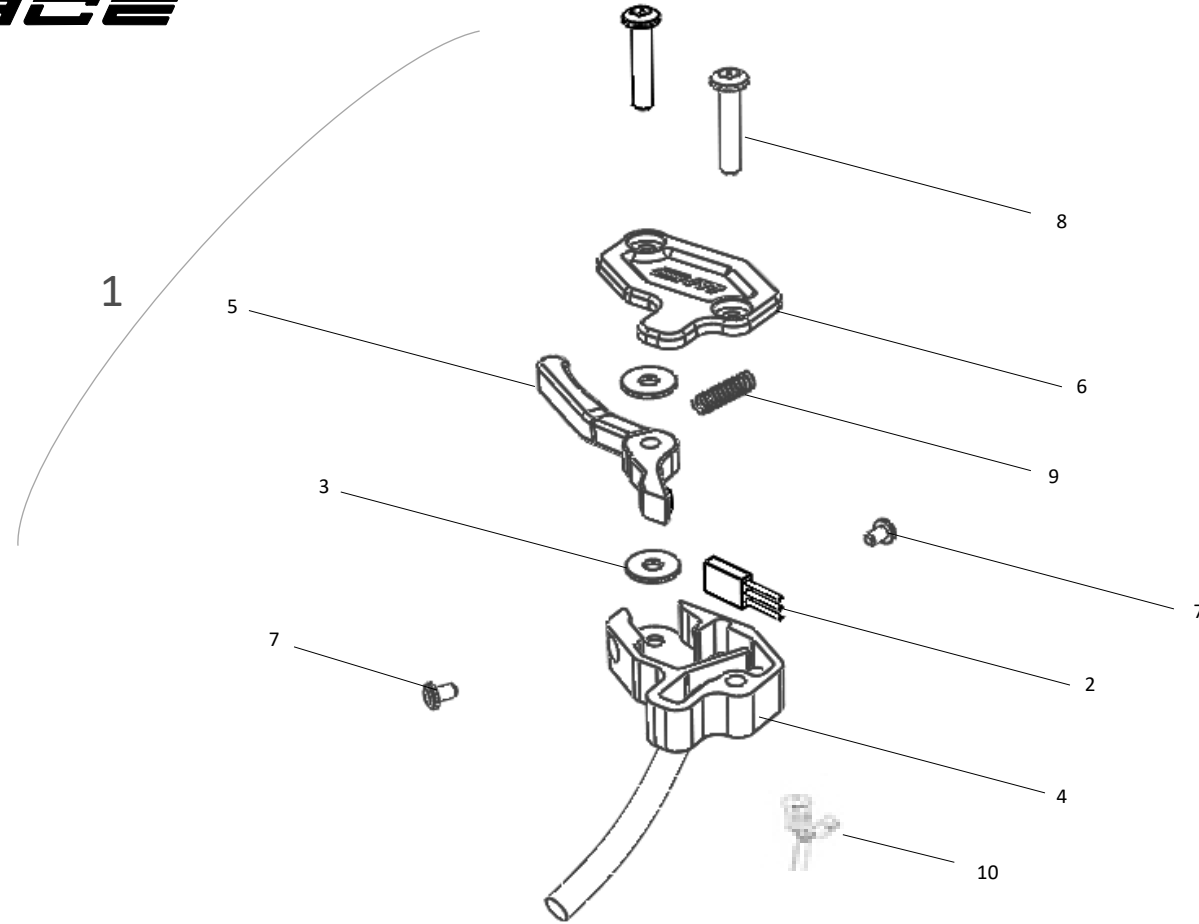


N°	REF.EM	DESIGNATION	Qty
1	TL02Q-60201-00-00.....	OFF ROAD COMPLETE FRONT KIT.....	1
2	TL02Q-50203-00-00-ASM.....	BATTERY LEVEL HANDELBAR PROTECTION EPURE SPORT ONLY .	1
3	TC01P-70104-00-00-ASM.....	FRONT PLATE WITH LIGHT	1
4	TC01S-60201-01-00.....	OFF ROAD MAIN HARNESS.....	1
5	TC01O-60601-00-00.....	CONVERTER DC / DC LED.....	1
6	TL02O-60202-00-00-ASM.....	REAR LED MINI.....	1
7	TL02O-60202-02-00.....	REAR LED	1
8	TL02O-60202-01-00.....	REAR LED SUPPORT	1
9	OV015-03006-00-00.....	SCREW 3x6.....	3
10	TL02Q-50410-00-02.....	BATTERY LEVEL INDICATOR HARNESS EPURE SPORT.....	3

15 REAR TAIL LIGHT MINI

N°	REF.EM	DESIGNATION	Qty
1	TL020-60202-04-00.....	COMPLETE REAR LED KIT	1
2	TL020-60202-02-00.....	REAR LED	1
3	OV015-03006-00-00.....	SCREW 3x6.....	3
4	TL020-60202-01-00.....	REAR LED SUPPORT	1

16 PRB RACE



N°	REF.EM	DESIGNATION	Qty
1	TC01Q-60403-00-00.....	COMPLETE PRBR	1
2	TL01N-60404-00-00.....	PRB SENSOR HARNESS.....	1
3	OR008-04012-01-00.....	WASHER NYLON 4X12X1.....	2
4	TC01Q-60403-00-01.....	PRBR BODY.....	1
5	TC01Q-60403-00-02-ASM.....	PRBR LEVER.....	1
6	TC01Q-60403-00-03.....	PRBR UPPER PLATE.....	1
7	OV040-03005-00-00.....	SCREW BHC M3 X 5	2
8	OV040-04020-00-00.....	SCREW BHC M4 X 20 BLACK.....	2
9	OR101-04015-10-01.....	SPRING.....	1
10	TC01Q-60417-00-00.....	FRB / PRBR ADAPTER	1

17 HANDGUARD

N°	REF.EM	DESIGNATION	Qty
1	RL03Q-61001-00-00.....	EM HANDGUARD	1